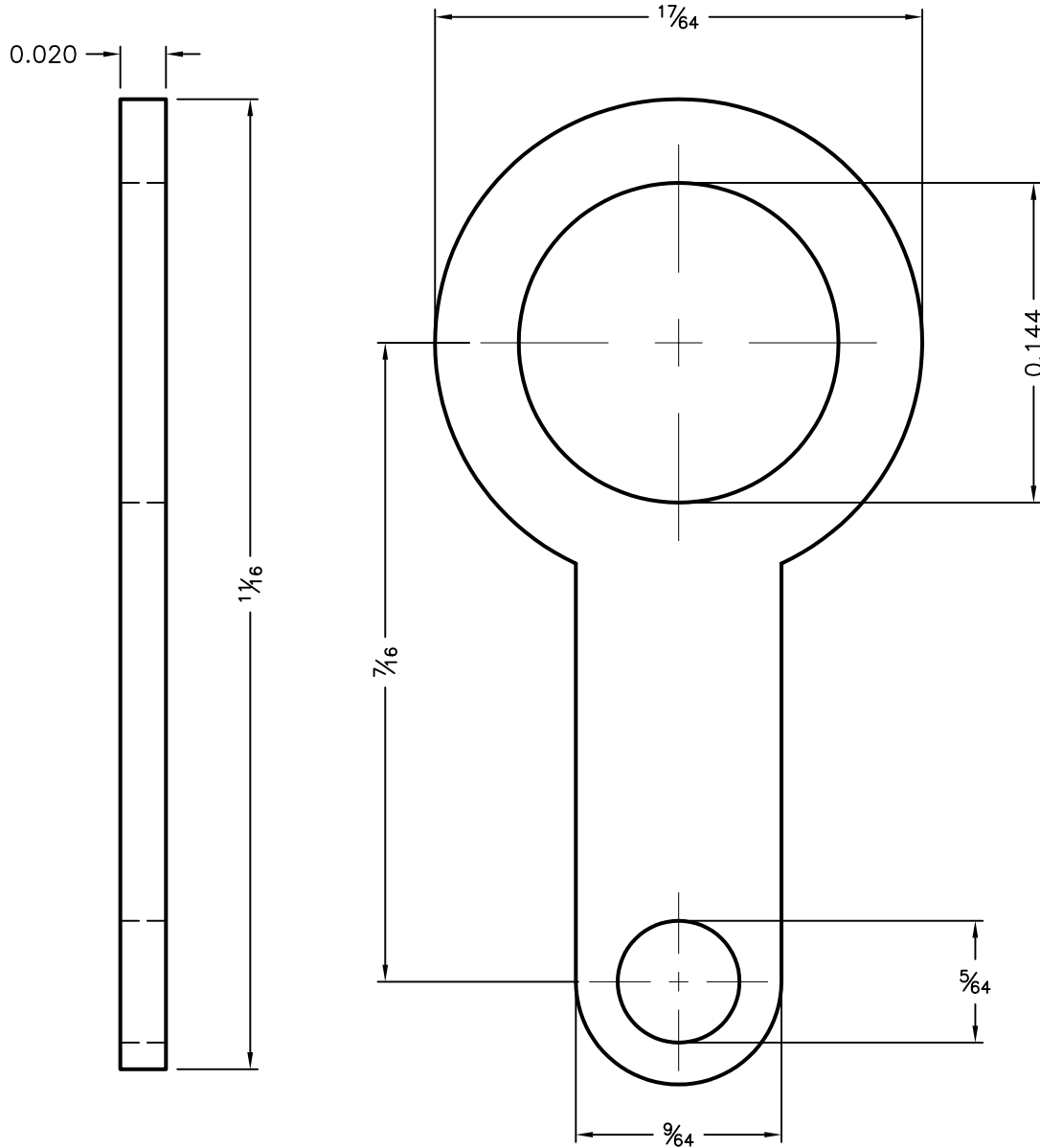


DCP #	REV	DESCRIPTION	DRAWN	DATE	CHECKD	DATE	APPRVD	DATE
1052	A	RELEASED	HYO	1/25/02	JWM	1/25/02	DJC	1/25/02
1892	B	Update To RoHS Compliant	EO	3/14/06	HO	3/15/06	HO	3/15/06



Material: Brass, Tin plated

SPC-F004.DWG

TOLERANCES: Unless Otherwise Specified Fractional ±0.015 Decimal ±0.005	DRAWN BY:	DATE:	DRAWING TITLE:			
	HISHAM ODISH	1/25/02	SOLDER TERMINAL LUG			
	CHECKED BY:	DATE:	SIZE	DWG. NO.	ELECTRONIC FILE	REV
	JEFF MCVICKER	1/25/02	A	SPC11131	32C2108.DWG	B
APPROVED BY:	DATE:	SCALE: NTS		U.O.M.: INCHES		SHEET: 1 OF 1
DANIEL CAREY	1/25/02					