

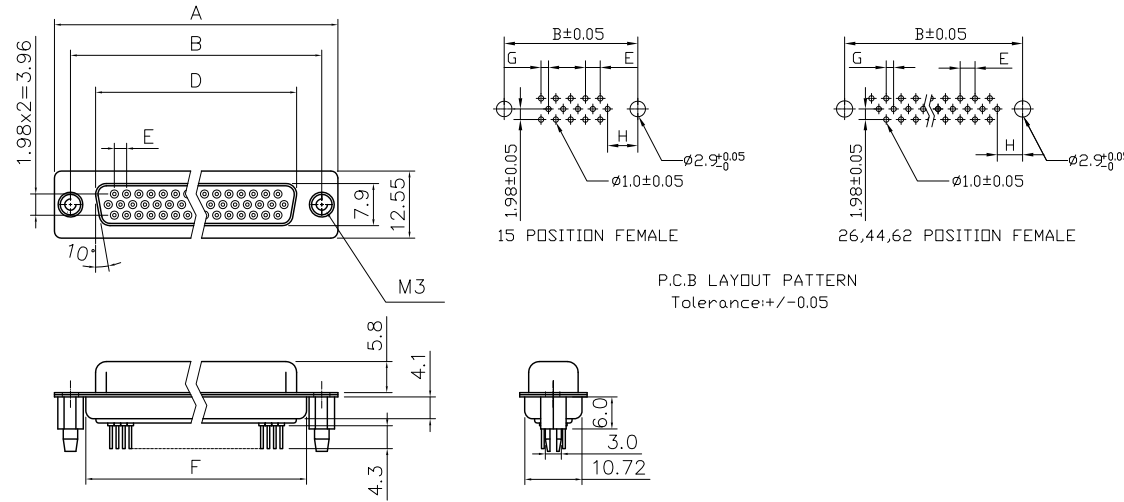
This document is the property of Amphenol Corporation and is delivered on the express condition that it is not to be disclosed, reproduced or used, in whole or in part, for manufacture or sale by anyone other than Amphenol Corporation without its prior consent, & that no right is granted to disclose or to use any information in this document.

Customer drawing

REVISIONS				
SYM	ECN	DESCRIPTION	DATE	APPROVED
1	HK--	First Release Drawing	12/27/13	IP

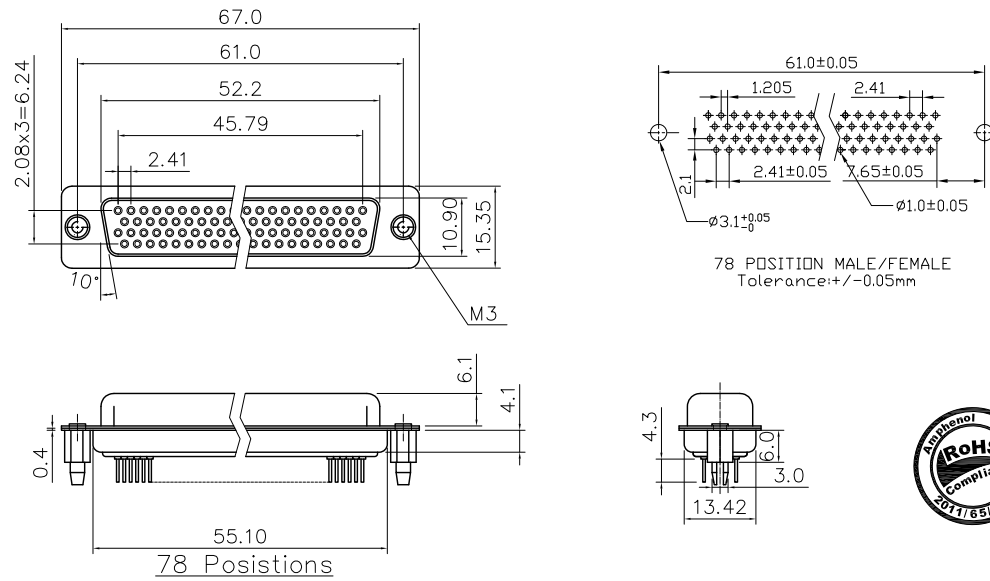
D-SUB TECHNICAL DATA

SHELL : Steel, 100u" Tin Over 50u" min nickel over 50u" min Copper
 BODY : Glass-Filled Thermoplastic PBT,UL94V-0
 CONTACTS : Copper alloy
 15u"gold over 50u" nickel on mating area
 100u" tin over 50u" nickel on solder area
 BOARDLOCK: Brass, Tin Plated
 ELECTRICAL : Voltage rating 250 VAC/Rms 60Hz
 Current Rating :3 AMP
 Withstanding Voltage >500 VAC Rms
 Insulation resistance >1000 M Ohms
 Contact resistance 20 mOhms max
 MARKING : Amphenol...(Series No.)
 Commercial reference
 Manufacturing date



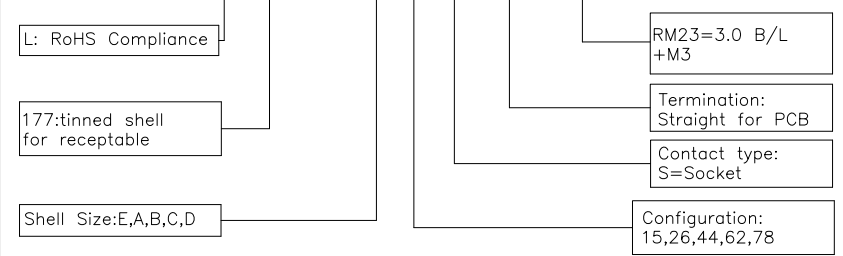
Dimensions

Positions	A	B	D	E	F	G	H
15	30.81	24.99	16.33	2.29	19.20	1.145	7.04
26	39.20	33.30	24.70	2.29	27.70	1.145	6.88
44	53.05	47.04	38.40	2.29	41.10	1.145	6.88
62	69.40	63.50	54.80	2.41	57.30	1.205	7.00



PRODUCT CODE

L 177 HD X XX S OL2 RM23



UNLESS OTHERWISE SPECIFIED TOLERANCES	APPROVAL		DATE
	U.S.	METRIC	
.X +/-	0.50		DRAWN Felix Liu 12/27/13
.XX +/-	0.30		CHECKED Tony Tang 12/27/13
.XXX +/-	0.20		
FRACTIONS +/-			
ANGLES +/-	5°		
FOR MATERIALS AND FINISHES SEE NOTES	DRAWING FILE :		
REMOVE SHARP EDGES	ANGLE OF PROJECTION		
DIMENSIONS			
U.S.	INCHES		
METRIC	MM		

Amphenol		Amphenol East Asia Limited	
TITLE D-SUB connector,HD serie			
SIZE	DRAWING NO.	REV.	
A4	C L177HDXXXSOL2RM23	1	
SCALE	NONE	SHEET 1 OF 1	

