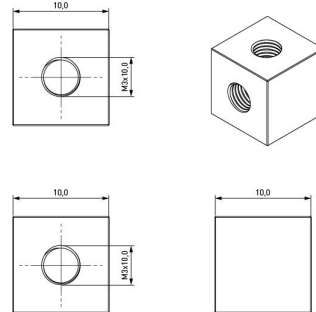
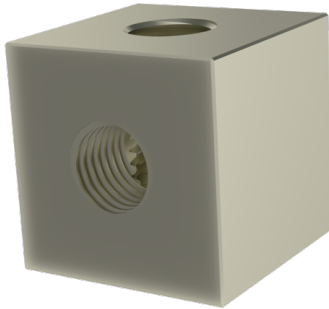


## Cube Standoff Threaded M3/10x10x10 Brass nickel-plated

Part No.: 005.60.533



Thread I-1/Inside: M3  
Material: Brass  
Type: Thread Cube  
Design: Only Thread  
Material Group: Brass  
Thread 2 Size: M3  
Finish: Nickel-Plated, 3 µm  
Conformities :



Looking for some advice for your specific situation?  
If so, please don't hesitate to e-mail us at [products@ettinger.de](mailto:products@ettinger.de)

Contact:  
[www.ettinger.de](http://www.ettinger.de)  
[info@ettinger.de](mailto:info@ettinger.de)  
Tel.: +49-8104/662388  
Fax: +49-8104/662399

Delivery address:  
Ettinger GmbH  
Ottostraße 5  
85649 Hofolding  
Germany