

The 7000 Universal Range of Audio and Video Connectors employs many innovative features unique to the Deltron series. They are suitable for use in both commercial and industrial electronics applications, where reliability, simple operation and the elimination of RF and mechanical interference is necessary. Common uses include mixing desks, tape recorders, video recorders, DAT recorders and test instrumentation.

-Completely interchangeable with all leading manufacturers of XLRs.

-HOUSING: a rugged diecasting offering full RF protection, with a small industrial standard flange.

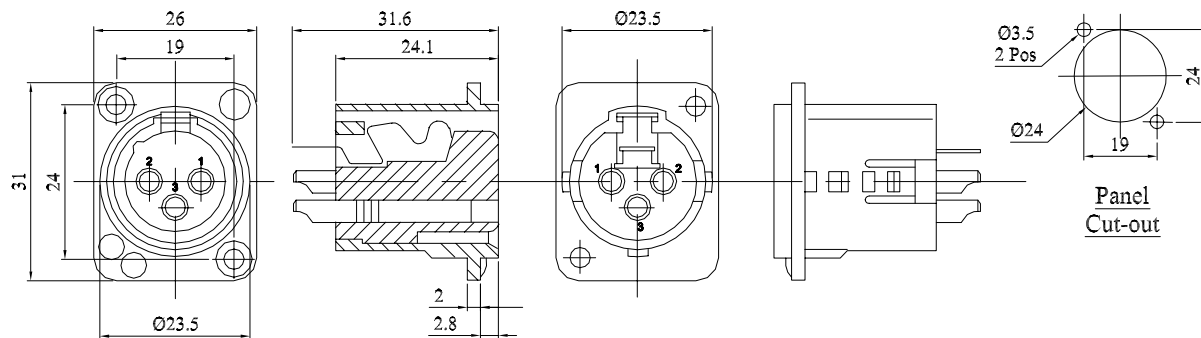
-INSERT: thermoplastic with high mechanical, thermal and electrical properties excellent chemical resistance, and dimensional stability.

-CONTACTS: precision machined in brass with generous solder buckets to accept a wide range of cable sizes.

-LATCHING: unique design with a positive line plug mating and retention, but requiring no mechanical operation to disengage; simply pull to release the plug.

-CODING: a unique interchangeable system of coloured plastic buttons providing a quick and easy system of identification (when the connector is front mounted).

#### Dimensions



Deltron Part No	Silver Contacts		Gold Contacts	
	Nickel	Black	Nickel	Black
3-Way	716-0301	718-0301	722-0301	724-0301
4-Way	716-0401	718-0401	722-0401	724-0401
5-Way	716-0501	718-0501	722-0501	724-0501

#### Mechanical Properties

Housing	Zinc high pressure diecasting satin nickel or black chrome
Contact base	Valox DR48 (UL94 V-0)
Contacts	Brass, 3 microns silver anti-tarnish finish, or 0.5 microns gold plate
Earth tag	Spring steel, nickel plate 3 microns silver plate
Ident buttons	Acetal (UL 94 HB)
Ident options	Black, Brown, Red, Orange, Yellow, Green, Blue, Violet, Grey, White
Operating Temp	-30°C to +80°C
Insertion force	20N
Withdrawal force	10N
Min No. insertions	10,000

#### Electrical Properties

Number of contacts	3, 4 or 5
Rated current per contact	16, 10, 7.5 Amps
Maximum wire size (solid)	10, 13 or 14 AWG 6, 3 or 2.5 mm <sup>2</sup>
Cap. Between contacts	4, 7 or 7 pF
Rated voltage	250 Volts ac
Test voltage	1500 Volts ac
Contact resistance	3m $\Omega$
Insulation resistance	1G $\Omega$

CONVERTED FROM PS0732 ISS3 (07.08.95) IN JAN 2003

DrgNo 716-718-722-724-01

TITLE CHASSIS SOCKETS NON-LATCHING

ALL DIMENSIONS IN MM  
ANGLES IN DECIMAL DEGREES

**DELTRON Components**

ISSUE 3

GENERAL SPECIFICATION  
FOR MULTIPOLE CONNECTOR

CUSTOMER

FILTER REF

Aprvd Date 05/02/03

Aprvd By MC

Drwn by BS

Scale: NTS

Sheet 1 / 1