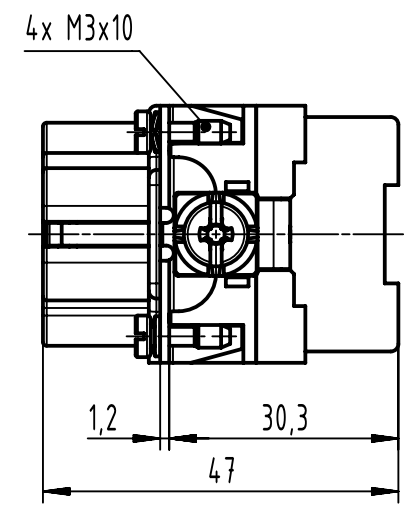
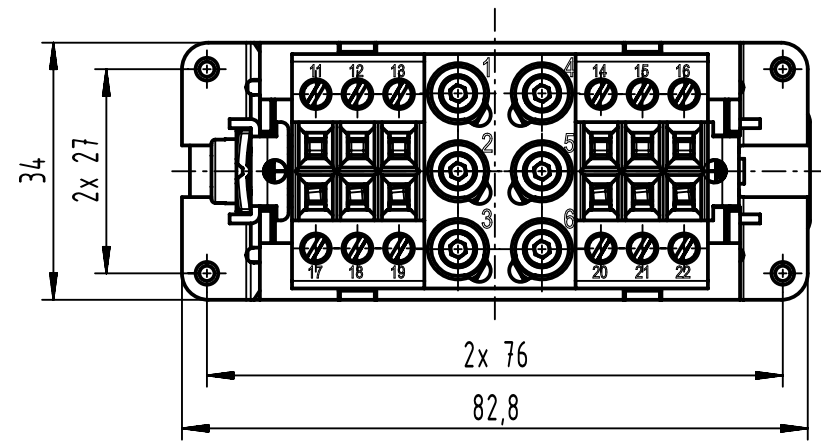


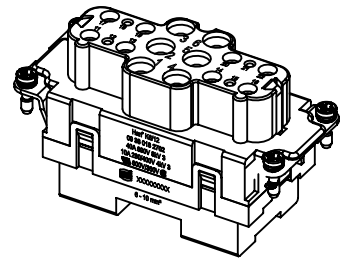
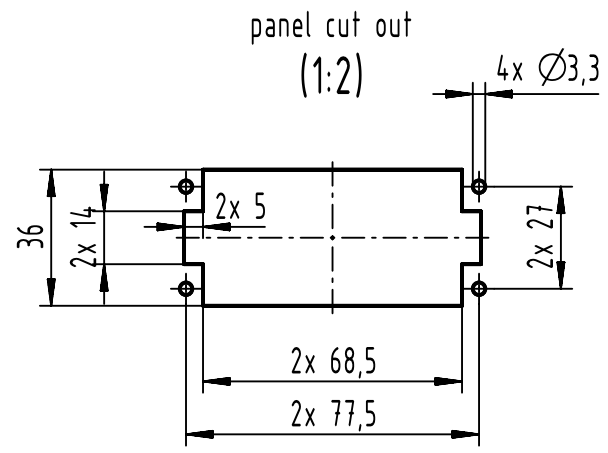
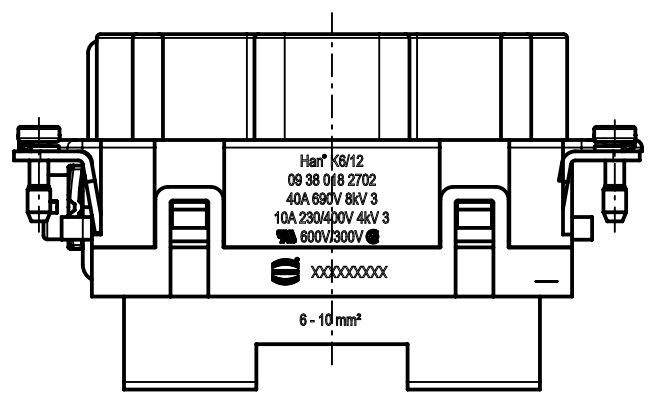
1 2 3 4 5 6

A



B

C



D

	All Dimensions in mm Original Size DIN A4		Scale 1:1	Free size tol.		Ref.	
	All rights reserved Department EL PD		Created by HELLMANN	Inspected by GERB	Standardisation 302077	Date 2021-04-29	State Final Release
HARTING D-32339 Espelkamp			Title Han K 6/12 Pos. F Insert (6-10mm ²)			Doc-Key / ECM-Nr. 100130866/UGD/005/A 500000194210	
			Type TB	Number 09 38 018 2702		Rev. A	Page 1/1