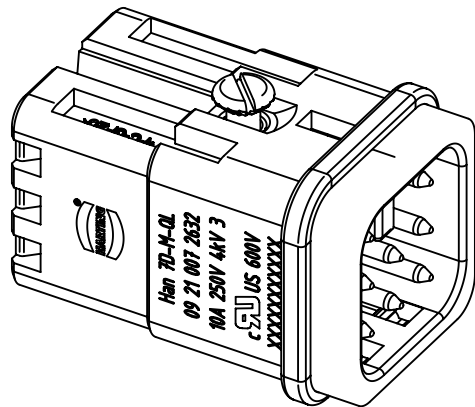
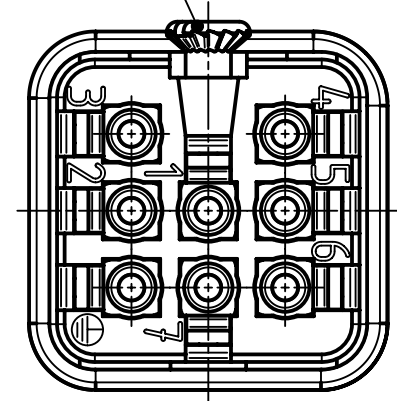


insert fixing screw M3x6
enclosed separately



	All Dimensions in mm Original Size DIN A4	Scale 2:1		Free size tol.		Ref.	
						Sub.	
	All rights reserved Department EL PD - DE	Created by NICHTERLEIN	Inspected by SCHNIEDER	Standardisation TIEMANNA	Date 2016-08-01	State Final Release	
		Title Han 7D-M Quick Lock 1,5mm ²					Doc-Key / ECM-Nr. 100177471/UGD/004/C 500000107052
HARTING Electric GmbH & Co. KG D-32339 Espelkamp		Type TB	Number 09 21 007 2632			Rev. C	Page 1/1