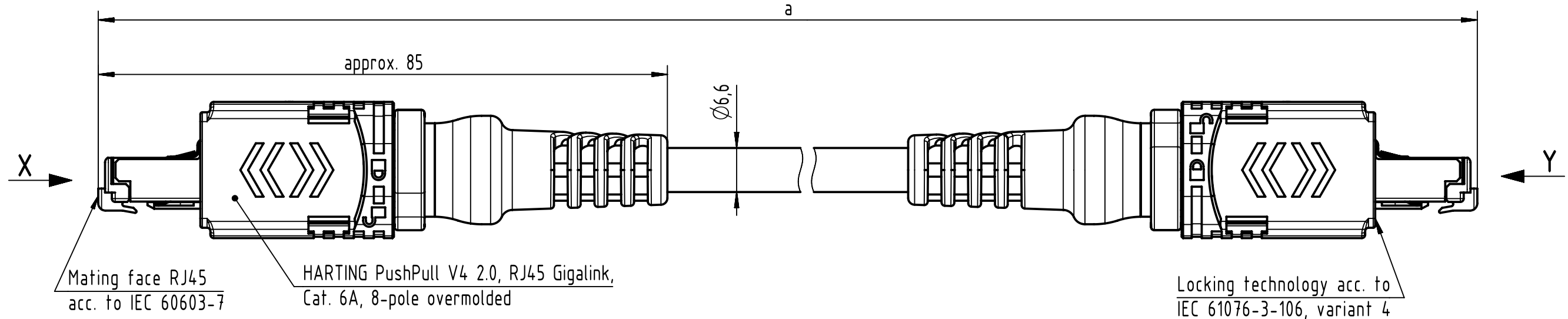


Connector Location A

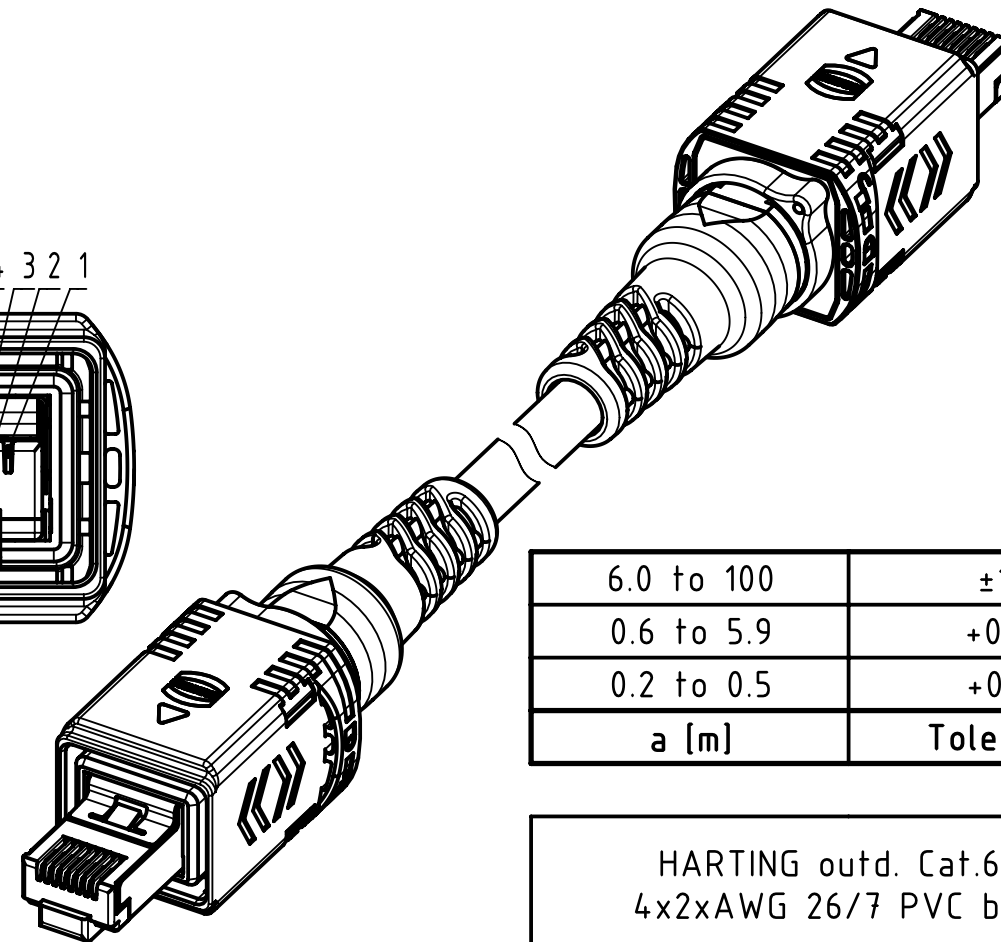
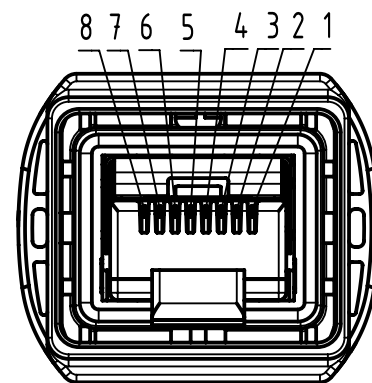
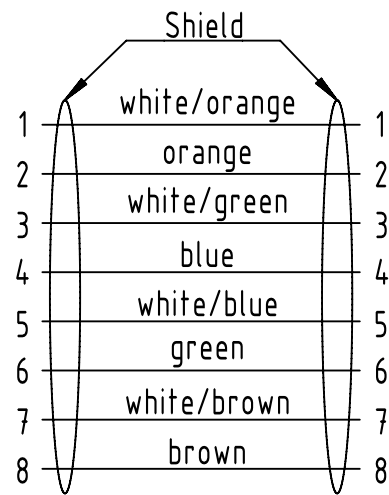
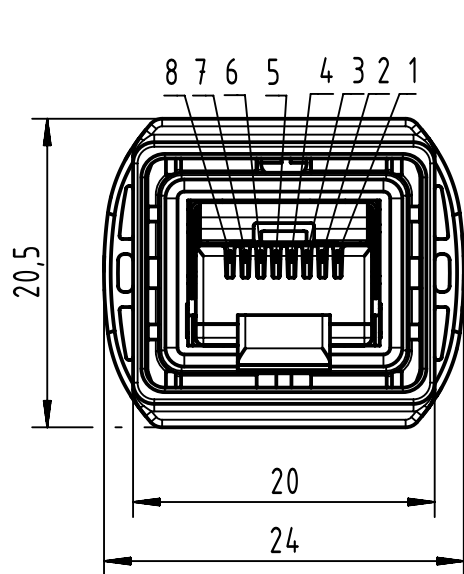
Connector Location B



X
male

Loading Plan
acc. to TIA/EIA 568B

Y
male



6.0 to 100	±1%
0.6 to 5.9	+0.04
0.2 to 0.5	+0.02
a [m]	Tolerance

length in "1m" step	100	XXX=000
	99	XXX=990
	12	XXX=120
	11	XXX=110
length in "0.1m" step	10	XXX=100
	9.9	XXX=099
	9.8	XXX=098
	0.5	XXX=005
	0.4	XXX=004
	0.3	XXX=003
	0.2	XXX=002
Step	a [m]	XXX

HARTING outd. Cat.6A 4x2xAWG 26/7 PVC black	09482828758XXX
Type of cable	Part no.

NOTE:

- * Cat.6A 10 Gbit/s Ethernet transmission possible for lengths up to 45m
- Protection level: IP65/67
- Temperature range:
 - Fixed installation: -20°C ... +80°C
 - Dynamic installation: -20°C ... +80°C

	All rights reserved	Created by 405181 Hadar	Inspected by 402676 Gross	Standardisation COSTEA Costea	Date 2021-11-12	State Final Release
	Department HCS - RO	Title HA PPV4 2.0 RJ45 Cat6A PVC outd.		Doc-Key / ECM-Nr. 100696523/UGD/001/E 500000205993		
HARTING Customised Solutions D-32339 Espelkamp		Type TB	Number 09482828758XXX		Rev. E	Page 1/1