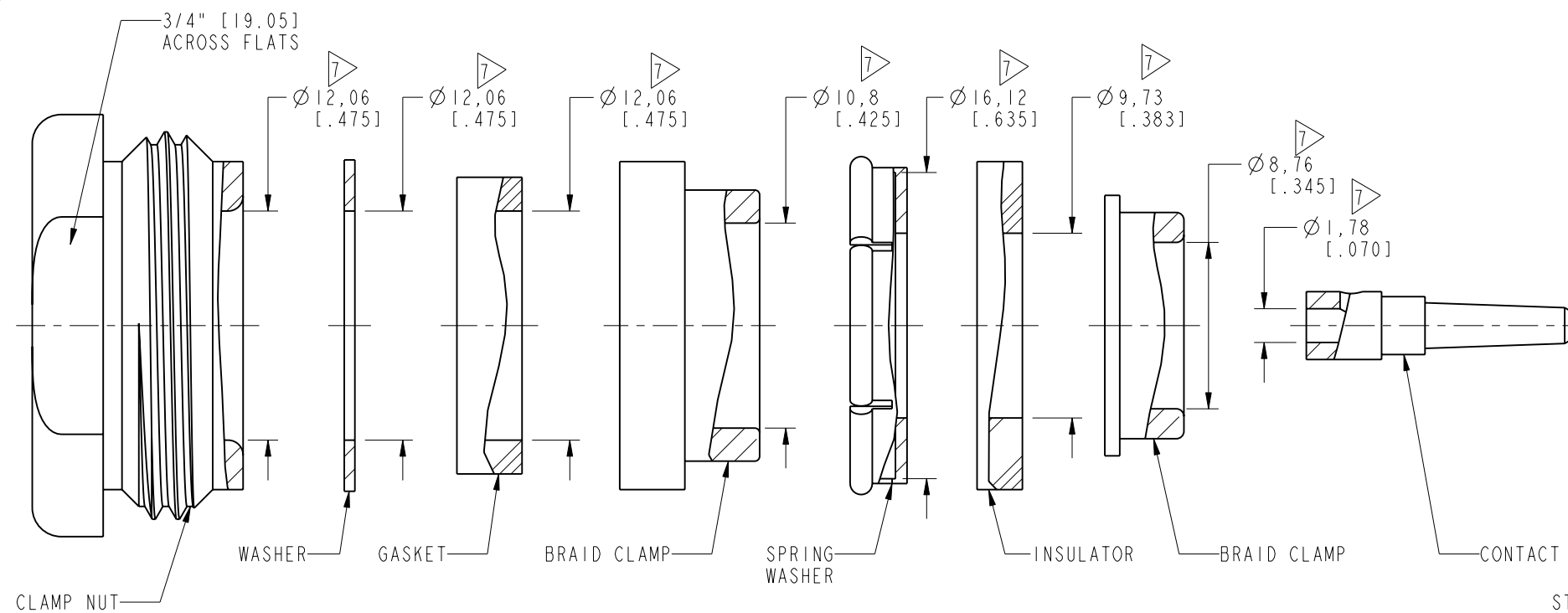


NOTES:

1. MATERIALS AND FINISHES:  
 BODIES, COUPLING NUT, CLAMP NUT, BRAID CLAMPS,  
 CONTACT OUTER, WASHER, INSERT - BRASS, NICKEL PLATING  
 CONTACT - BRASS, SILVER PLATING  
 INSULATORS - PTFE, NATURAL  
 OUTER INSULATOR - NORYL, BLACK  
 GASKETS - SILICONE RUBBER, RED  
 SPRING WASHER - BeCu, NICKEL PLATING  
 RETAINING RING - BeCu
2. ELECTRICAL:  
 A. IMPEDANCE: 50 OHM
3. MECHANICAL:  
 A. DURABILITY: 500 CYCLES MIN.  
 B. TEMPERATURE RANGE: -40° C TO +85° C
4. PACKAGING:  
 A. QUANTITY: SINGLE PACK  
 B. MARKING: BAG TO BE MARKED  
 "AMPHENOL RF, 53175, AND DATE CODE"
5. FOR CABLE STRIPPING AND CONNECTOR ASSEMBLY INSTRUCTIONS  
 REFER TO AMPHENOL SPEC. 349-50097
6. CUSTOMER NOTE: WHEN SOLDERING CONTACT TO CABLE, ROSIN CORE SOFT  
 SOLDER PER QQ-S-571, COMP. Sn60 IS RECOMMENDED.

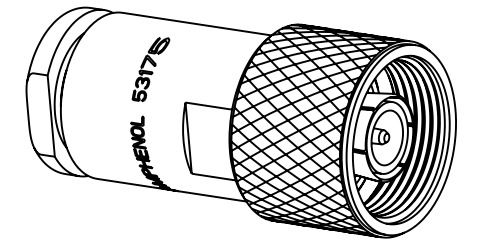
7 SHOWS CABLE ENTRY DIMENSIONS .



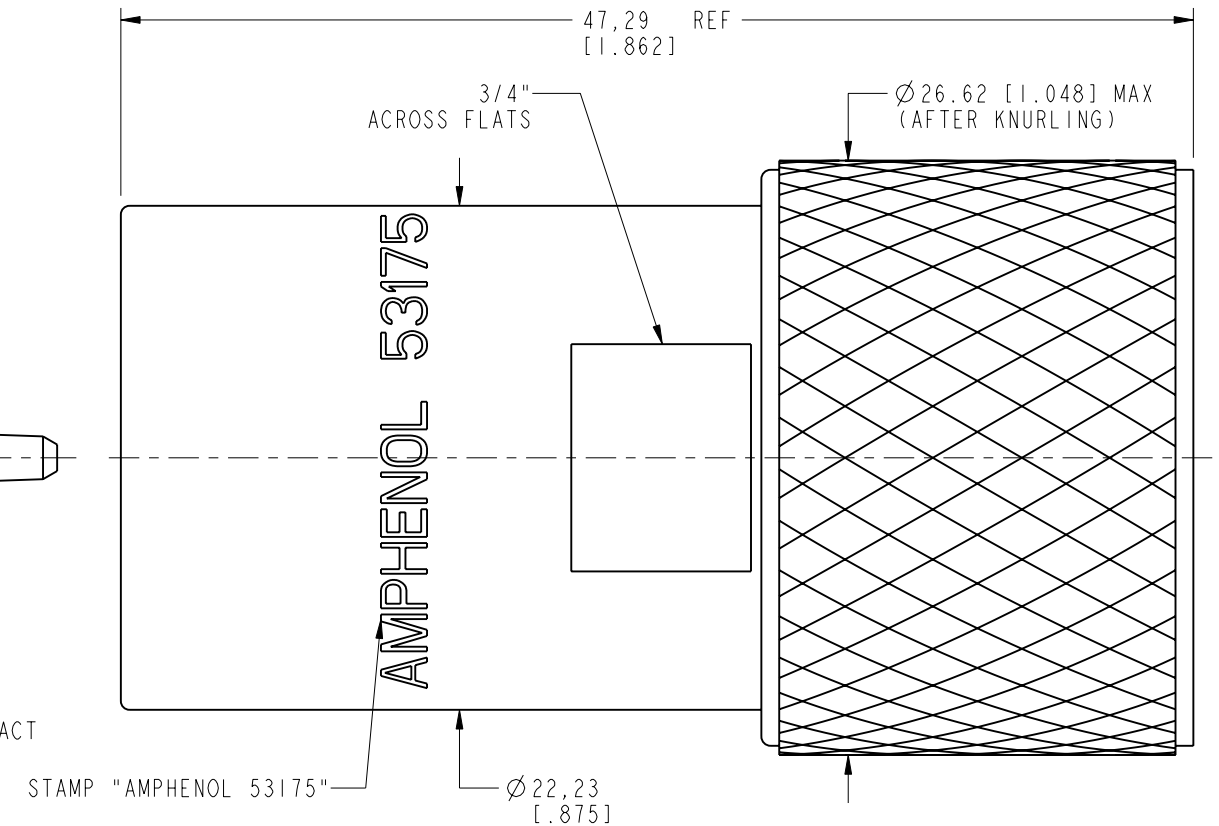
THIRD ANGLE PROJ.

REVISIONS

REV	DESCRIPTION	DATE	ECO	APPR
A	RELEASE TO MFG.	03-May-05		
J	REDRAWN IN PRO-E & SYNCHED DRAWING	22-Apr-15	49786	HH



SCALE 1.000



**CUSTOMER OUTLINE DRAWING**

ALL OTHER SHEETS ARE FOR INTERNAL USE ONLY

UNLESS OTHERWISE SPECIFIED, DIMENSIONS ARE IN INCHES AND TOLERANCES ARE: 2 PLACE DECIMAL 3 PLACE DECIMAL ANGLES $\pm .015$ (0,381 mm) $\pm .005$ (0,127 mm) $\pm 1^\circ$	MATERIAL	DRAWN	DATE	TITLE		Amphenol RF <a href="http://www.amphenolrf.com">www.amphenolrf.com</a>	
	SEE NOTES	JEKY.C	22-Apr-15				TRIAxIAL PLUG FOR
	REFERENCE	ENGINEER	DATE	AMPHENOL 21-529 CABLE			DRAWING NO. 53175
	EAR #	K. CAPOZZI	04-Nov-13	SCALE: 3.0:1.0 SHEET 2 OF 2			ITEM NO. 53175
CONFIGURATION LEVEL: In Work	APPROVED	DATE	DWG SIZE		REV	PART NO. 53175	
FINISH	H. HE	22-Apr-15	B		J		