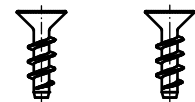
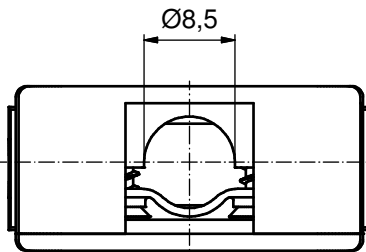
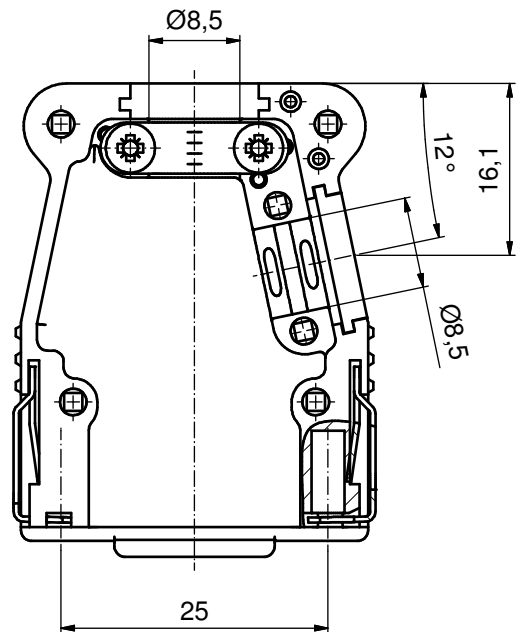


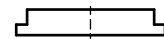
view without cover
(2 : 1)



COUNTERSUNK HEAD SCREWS
(6x)



CABLE STRAIN RELIEF



BLANKING PLUG



Part-No.	Part-No.
Bulk package	Single package
16-001750	16-001750E

HOOD ASSEMBLY CONSISTS OF:

1. HOOD + COVER: ABS UL 94 V-0; NICKEL PLATED
2. BLANKING PLUGS: ABS UL 94 V-0; NICKEL PLATED
3. CABLE STRAIN RELIEF: STEEL; NICKEL PLATED
4. CLIP: STAINLESS STEEL
5. COUNTERSUNK HEAD SCREWS: STEEL; NICKEL PLATED

RoHS compliant

THIS DRAWING MAY NOT BE COPIED OR REPRODUCED IN ANY WAY, AND MAY NOT BE PASSED ON TO A THIRD PARTY WITHOUT WRITTEN PERMISSION. OWNERSHIP AND COPYRIGHT OF CONEC GmbH DO NOT ALTER CAD DRAWING BY HAND	tolerance			dim. in mm	scale: 2:1
					material: see drawing
	date	name		title: Plastic Hood 9pos with Snap Lock / top and side cable exit	
	drawn 24.09.14	Henneboel			
	appd. 24.09.14	Strakerjahn			
norm	d-old		dwg no:		
2 x b	A5619	21.04.2015	K.H.	16K1A3529	
a	Original			DIN-A3	
rev.	description	date	name	sh: 1	
CONEC				part no: (b) SEE TABLE	