

## M12 Actuator/Sensor Distribution Boxes

ASBSV

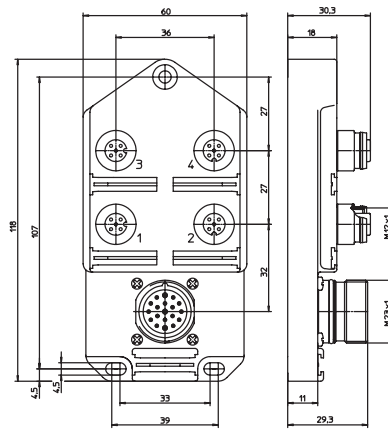


### 4-, 6-, and 8-Ports

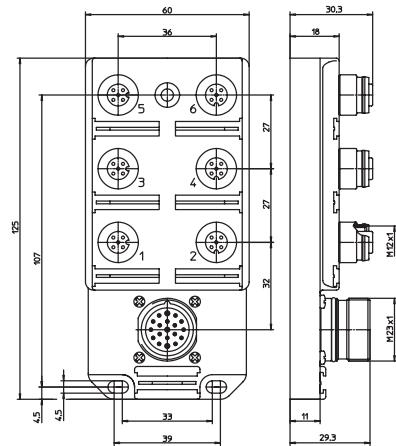
Pluggable actuator/sensor distribution box, 4-, 6-, and 8-ports, top-entry, M12 sockets, 5-poles, 2 signals per socket, with M23 quick-disconnect for the control cable.

– control cable type: 19P: RKU 19-242/...M or RKWU 19-242/...M –

### 4-Ports



### 6-Ports

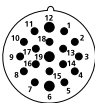


## Pin Assignments

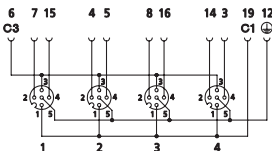
M12 / M23

Wiring Diagrams

5 P / 19 P

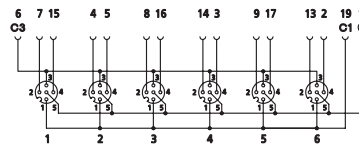


4-Ports



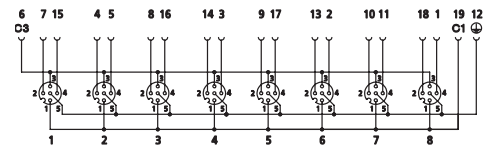
1 =	19	(C1)
2 =	1	(7)
	2	(4)
	3	(8)
	4	(14)
3 =	6	(C3)
4 =	1	(15)
	2	(5)
	3	(16)
	4	(3)
5 =	12	(PE)

6-Ports



1 =	19	(C1)
2 =	1	(7)
	2	(4)
	3	(8)
	4	(14)
	5	(9)
	6	(13)
3 =	6	(C3)
4 =	1	(15)
	2	(5)
	3	(16)
	4	(3)
	5	(17)
	6	(2)
5 =	12	(PE)

8-Ports

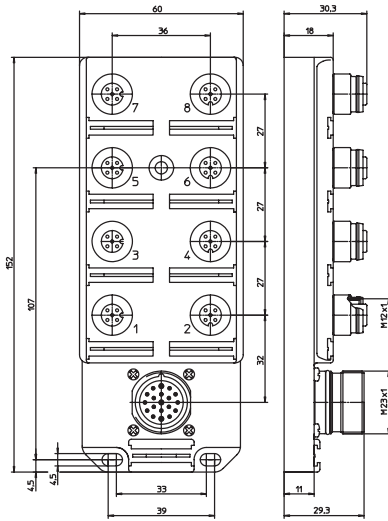


1 =	19	(C1)
2 =	1	(7)
	2	(4)
	3	(8)
	4	(14)
	5	(9)
	6	(13)
	7	(10)
	8	(18)
3 =	6	(C3)
4 =	1	(15)
	2	(5)
	3	(16)
	4	(3)
	5	(17)
	6	(2)
	7	(11)
	8	(1)
5 =	12	(PE)

# Be Certain with Belden

## M12 Actuator/Sensor Distribution Boxes ASBSV 4 5 | ASBSV 6 5 | ASBSV 8 5

### 8-Ports



### Technical Data

#### Environmental

Degree of protection IP 67 / NEMA 6P  
Operating temperature range -15°C (+5°F) / +80°C (+176°F)

#### Mechanical

Housing TPU, self-extinguishing  
Insert PA GF, self-extinguishing  
Contact CuZn, pre-nickel and 0.8 microns gold-plated  
Receptacle shell CuZn, nickel-plated  
O-ring FKM

#### Electrical

Contact resistance  $\leq 5m\Omega$   
Voltage rating 30 V AC/DC  
Current rating 4 A per port / 10 A max. total  
Insulation resistance  $> 10^9 \Omega$

#### Accessories (included)

ZVK 2 dust covers for unused sockets  
ZBS 10 attachable labels

Part Number	Ports	Mating Control Cables	Characteristics
ASBSV 4 5	4	RKU 19-242/...M or RKWU 19-242/...M	
ASBSV 6 5	6	RKU 19-242/...M or RKWU 19-242/...M	
ASBSV 8 5	8	RKU 19-242/...M or RKWU 19-242/...M	