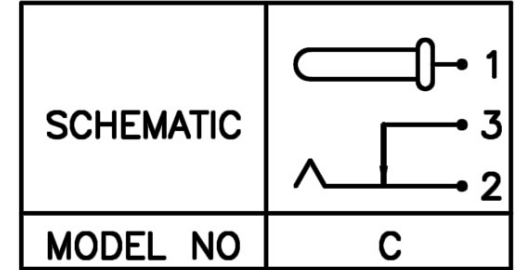
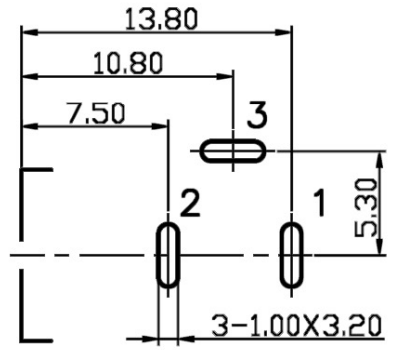


6.	Cover	PBT+30% Fibre Glass	1	Black Color
5.	Housing	PBT+30% Fibre Glass	1	Black Color
4.	Pin(2.5 ϕ)	Copper	1	Nickel Plated
3.	Break Terminal	0.4T Brass	1	Silver Plated
2.	Sleeve Spring	0.2T Phosphor Bronze	1	Silver Plated
1.	Pin Terminal	0.4T Brass	1	Silver Plated
NO.	Description	Material	Q'TY	Finish



SPECIFICATIONS:
 Contact Resistance : 30m Ω max
 Current Rating : Max 2.0A , 16V DC
 Insulation Resistance : 100M Ω min. at DC 500V
 Dielectric Withstand Voltage : AC 500V for one minute
 Remark: ▲: The Most Important Dimension

DIMENSIONS ARE IN MILLIMETERS				RoHS COMPLIANT	
TOLERANCE UNLESS OTHERWISE SPECIFIED		PART NO.	DC25-09	TITLE: DIA. 2.50MM DC POWER JACK	
LINEAR	0.0±0.25	DATE	May / 18 / 2012		
	0.00±0.15				
ANGLES	± 3	NOT SCALED DRAWING		DRAWING NO.	DC25-09