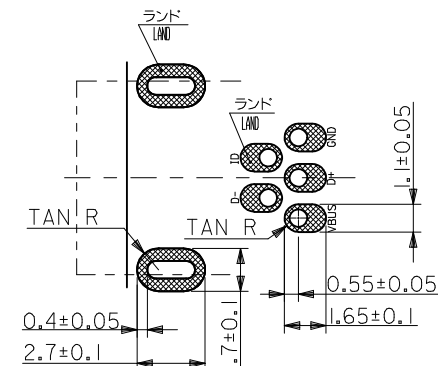
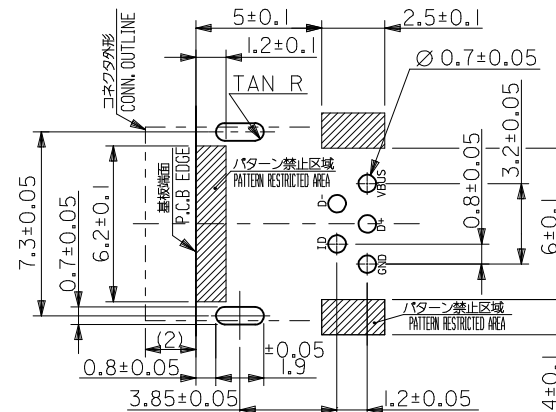
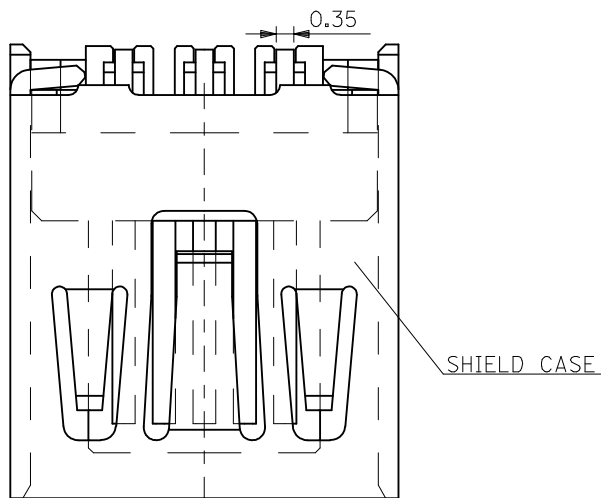
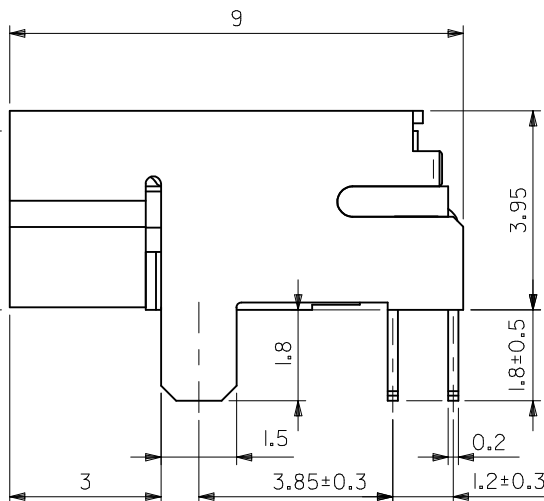
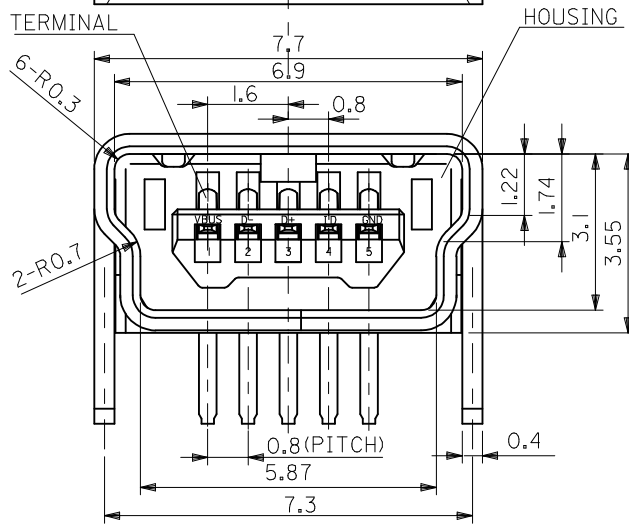


コネクタ実装側 (CONNECTOR MOUNT SIDE)

逆側 (REVERSE SIDE)



推奨基板寸法
RECOMMENDED P.C.B. PATTERN LAYOUT

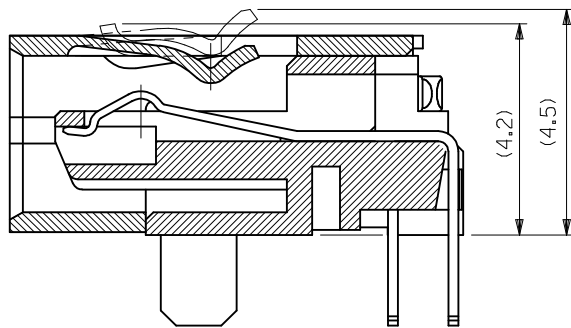


- 注記 1. 材質
NOTES MATERIAL
ハウジング: PA, ガラス充填, 黒色, UL94V-0
HOUSING: PA, GLASS FILLED, BLACK, UL94V-0
ターミナル: 銅合金 (t=0.2)
TERMINAL: COPPER ALLOY (t=0.2)
シールド ケース: 銅合金 (t=0.4)
SHIELD CASE: COPPER ALLOY (t=0.4)
2. メッキ仕様
PLATING
ターミナル
TERMINAL
接点部: 金メッキ 0.76MICRO METER MIN.
CONTACT AREA: GOLD 0.76MICRO METER MIN.
半田付カ部: 錫メッキ 1.0MICRO METER MIN.
SOLDER TAIL AREA: TIN 1.0MICRO METER MIN.
下地部: ニッケルメッキ 1.0MICRO METER MIN.
UNDER PLATING: NICKEL 1.0MICRO METER MIN.
シールド ケース
SHIELD CASE
: 錫メッキ 1.0 MICROMETER MIN.
: TIN 1.0MICRO METER MIN.
下地部: ニッケルメッキ 1.0MICRO METER MIN.
UNDER PLATING: NICKEL 1.0MICRO METER MIN.
3. 本製品は54819-0511の鉛フリー品である。
THIS PRODUCT IS LEAD FREE OF 54819-0511.

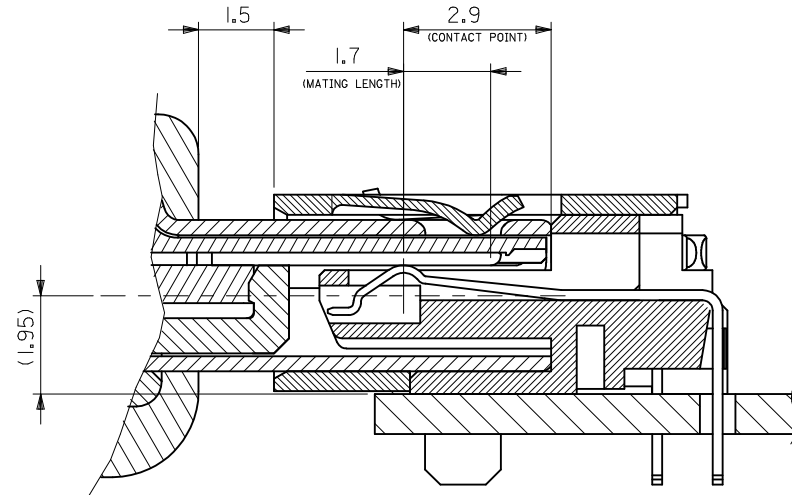
54819-0519
MATERIAL No.

MODEL No.54819-**-19

REVISED EC NO: J2009-1533 DRW: NESATO 2009/06/25 CHKD: MATSUMOTO 2009/06/25 APPR: NUKITA 2009/06/25	DESCRIPTION A	GENERAL TOLERANCES (UNLESS SPECIFIED)		DIMENSION STYLE MM ONLY	SCALE 10:1	DESIGN UNITS METRIC	THIRD ANGLE PROJECTION	
		10 UNDER	±0.2	DRAWN BY M. NAGATA	DATE 2004/04/28	TITLE USB SERIES MINI-B RECEPTACLE ASS'Y -LEAD FREE-		
		10 OVER 30 UNDER	±0.25	CHECKED BY K. TOJO	DATE 2004/04/28	MOLEX INCORPORATED		
		30 OVER	±0.3	APPROVED BY M. SASAO	DATE 2004/04/28	DOCUMENT NO. SD-54819-026	SHEET NO. 1 OF 2	
ANGULAR ±3 °		DRAFT WHERE APPLICABLE MUST REMAIN WITHIN DIMENSIONS		SEE TABLE				
THIS DRAWING CONTAINS INFORMATION THAT IS PROPRIETARY TO MOLEX INCORPORATED AND SHOULD NOT BE USED WITHOUT WRITTEN PERMISSION				EN-02JA(021)				



SECTION



MATING

MODEL NO. 54819-***19

REVISED EC NO: J2009-1533 DRW: NESATO 2009/06/25 CHK'D: MATSUMOTO 2009/06/25 APPR: NUKITA 2009/06/25	GENERAL TOLERANCES (UNLESS SPECIFIED)		DIMENSION STYLE MM ONLY		SCALE 10:1	DESIGN UNITS METRIC	THIRD ANGLE PROJECTION	
	10 UNDER	±0.2	DRAWN BY M. NAGATA	DATE 2004/04/28	TITLE USB SERIES MINI-B RECEPTACLE ASS'Y -LEAD FREE-			
	10 OVER 30 UNDER	±0.25	CHECKED BY K. TOJO	DATE 2004/04/28				
	30 OVER	±0.3	APPROVED BY M. SASAO	DATE 2004/04/28	MOLEX INCORPORATED			
ANGULAR ±3 °	DRAFT WHERE APPLICABLE MUST REMAIN WITHIN DIMENSIONS	MATERIAL NO. SEE SHEET 1		DOCUMENT NO. SD-54819-026	SHEET NO. 2 OF 2			