

Various Notifications with Network Capability



Different displays for various scenes

Select from many colors and light patterns to optimize visual information for various situations.

Easy and safe to use

Communication and controls with general-purpose protocols. Can be used globally. Compliant with safety and environmental standards.

Various lighting patterns for different usage scenarios

Scan for demo video



Notice instantly

— All tiers light up and blink with the same color —

- More noticeable than conventional one-tier alert.
- In case of disaster or other emergencies, it can be flashed for an even more intense display.

For machine alarm and emergency alarm



Discernible

— 9 colors available —

- 9 colors (red/amber/green/blue/sky blue/purple/pink/lemon yellow/white) to distinguish abnormalities.
- Easily distinguish machinery.
- Different color options available for places where red cannot be used, such as commercial facilities and hospitals.

For factories and commercial facilities with a lot of equipment.



See the direction

— Flowing display —

- Light is displayed in a sequential, flowing manner, showing direction of travel and steps.
- Intuitively display direction of travel.

For direction-of-travel display at train stations/
commercial facilities



Gentle light

— Flashing like a firefly —

- Special setting so light glows gently like a firefly.
- Suitable for offices, hospitals, and nursing homes where gentle blinking is preferred.

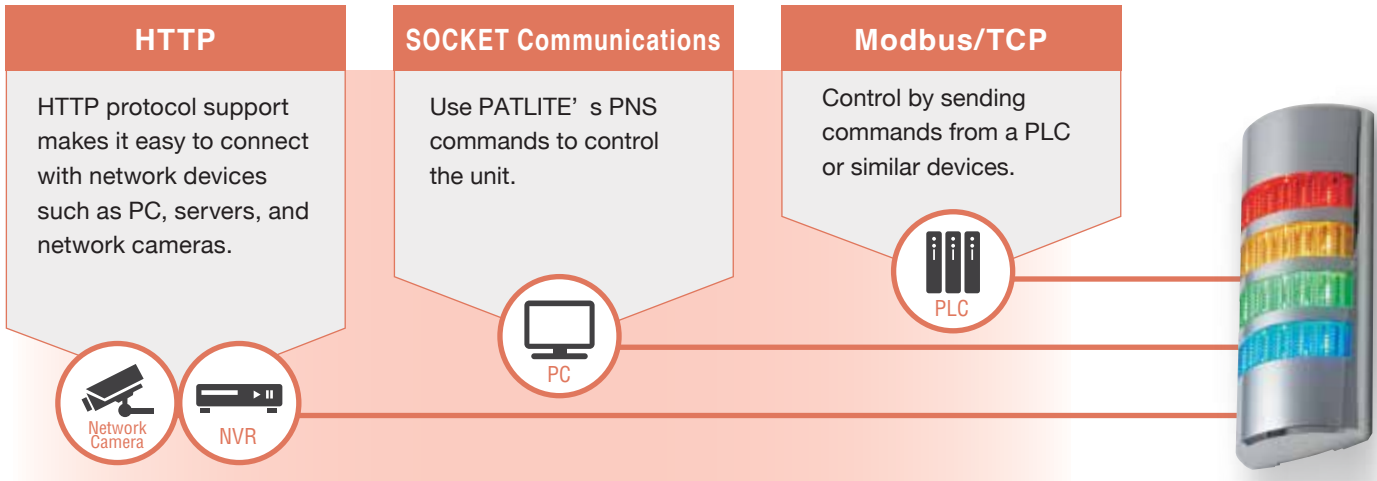
Display usage status in hospitals, nursing homes,
and conference rooms.



Easy and safe to use

Simple control with general-purpose protocol

General-purpose protocols like HTTP and Modbus TCP/UDP are supported so implementation can be done with minimal development effort. It also supports SOCKET communications. PNS commands, developed by PATLITE, can be used so existing product can be easily replaced.

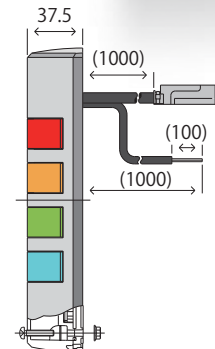


Easy connection via RJ-45 terminal

The RJ45 female connector cable coming out of the unit can be connected to a LAN cable. Compared to discrete-wire type products, this reduces the man-hours required for wiring. Removing the unit for maintenance can be easily done if necessary.



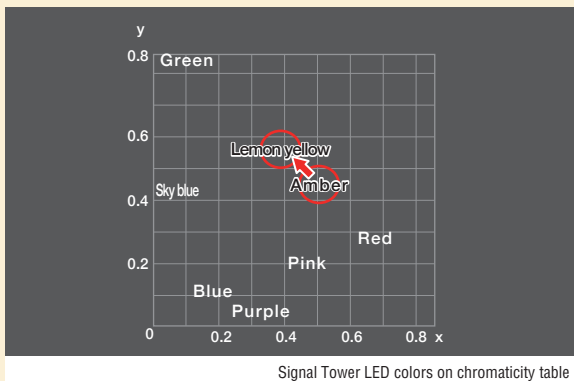
Easy connection



Dimensions unit: mm

Improved visibility in yellow rooms

- Before** | The chromaticity of yellow rooms is almost the same as the amber of the Signal Tower, so it is difficult to judge if the light is on.
- After** | Shifting the chromaticity toward green, the resulting Lemon Yellow color is easy to see.

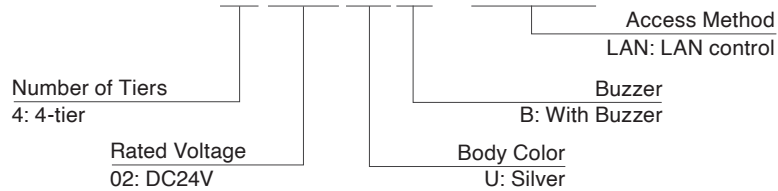


Specifications

Model Number	WE-402UB-LAN	
Rated Voltage	DC24V	
Voltage Range	Rated voltage $\pm 10\%$	
Rated Current Consumption	Maximum	230mA
Rated Power Consumption	Maximum	5.5W
Sound Pressure	Typ. 88dB (When attenuated: about -10dB)	
Ambient Temperature	-10°C ~ +55°C	
Ambient Humidity	85% RH or less, non-condensing	
Mounting Location	Indoor/Wall mount	
Mounting Direction	Upright	
Protection Rating	IP23	
Network Communication Method	Ethernet (IEEE 802.3 compliant) 10BASE-T/100BASE-TX (Auto-MDI/MDIX compliant)	
Protocol	Modbus/TCP, HTTP, SOCKET (PNS Commands)	
Applicable Standards	UL508, CSA-C22.2 No.14 FCC Part15, Subpart B (Class A), ICES-003 (Class A) EN 61000-6-4, EN 61000-6-2, KS C 9610-6-4, KS C 9610-6-2	
Remarks	• Conformity to CEMarking • Conformity to UKCA marking • UL Recognized Component (File No. E215660)	

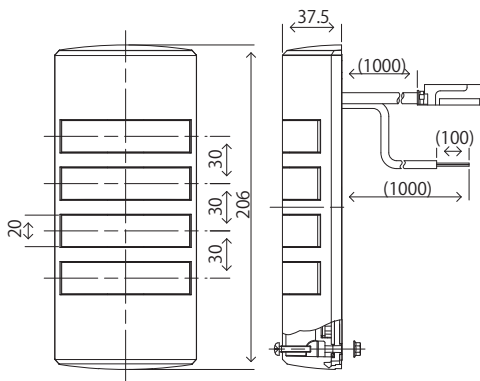
How to Order

WE - 402UB-LAN

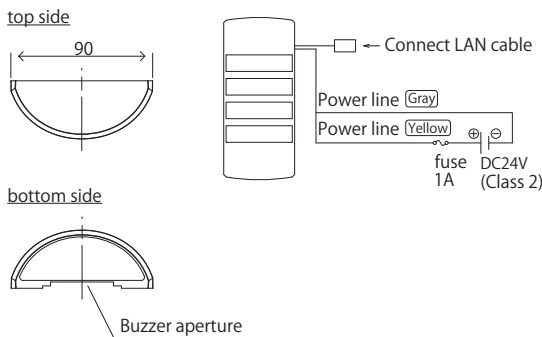


Dimensions (unit: mm)

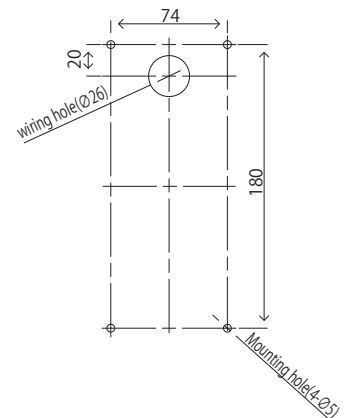
■ Dimensions



■ Wiring Diagram



■ Mounting Dimensions



PATLITE Corporation

PATLITE (U.S.A.) Corporation

PATLITE MEXICO S.A. de C.V.

PATLITE Europe GmbH

PATLITE UK LTD

PATLITE (CHINA) Corporation

PATLITE KOREA CO., LTD.

PATLITE TAIWAN CO., LTD.

PATLITE (THAILAND) CO., LTD.

PATLITE (SINGAPORE) PTE LTD

PT. PATLITE INDONESIA

www.patlite.com

● PATLITE, the PATLITE logo are either registered trademarks or trademarks of PATLITE Corporation in JAPAN and/or other countries.

⚠ CAUTION

To ensure correct use of these products, read the "Instruction Manual" prior to use. Failure to follow all safeguards can result in fire, electric shock, or other accidents. Specifications are subject to change without notice.

O-BB07A EN 2302A PLUS