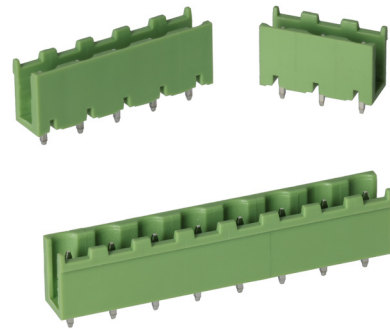


7.62mm Header Straight Open 15A Terminal Blocks

Specifications

Pitch:	7.62mm
Type:	Straight, Open-ended
Poles:	2 to 12
Rated Voltage:	See Table
Rated Current:	See Table
Operational Temperature:	-40°C to +105°C
Withstand Voltage:	2500V AC for 60s
Insulation Resistance:	500MΩ at 500V DC
Wave Soldering:	260°C for 5s
Hand Soldering:	350°C for 10s

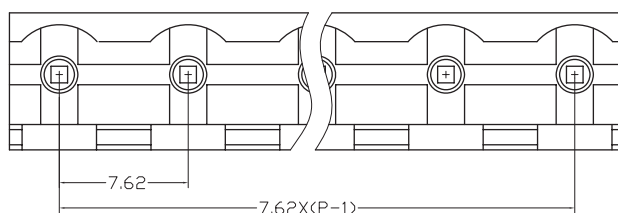
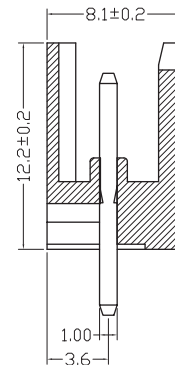
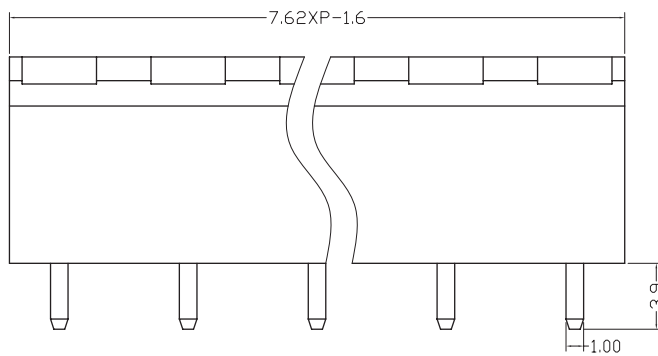


Colour and Materials

Housing Colour:	Green
Housing Material:	PA66
Flame Retardancy:	UL94-V0
Pin Header:	Tin-plated brass

Order Code	Poles	Order Code	Poles
21-1857	2	21-1862	8
21-1858	3	21-2006	9
21-1859	4	21-1863	10
21-1860	5	21-2007	11
21-1861	6	21-1864	12
21-2004	7		

Standard	Rated Voltage	Rated Current
UL	300V	15A
IEC	400V	20A



Measurements are in mm unless stated otherwise.

For further information on pricing, delivery, and long-term stock agreements please get in touch with your local business development contact. Telephone our main office on **01206 838000** or email Sales@Rapidonline.com.

The information contained in this datasheet is subject to change without notice and replaces all data sheets previously supplied.

