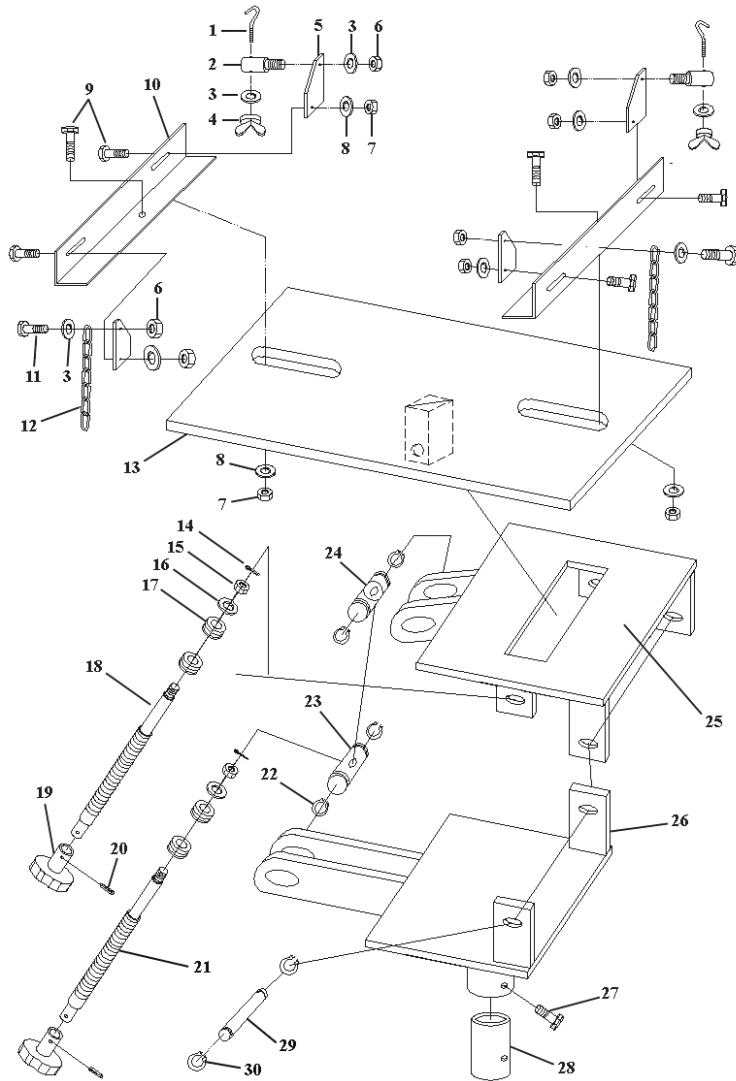


Parts Information:  
**Adjustable Gearbox Support 500kg**  
**Capacity for 300ETJ & 500ETJ**  
**Model No: ADT7.V2**



Item	Part No.	Description
1	ADT7V2-01	CHAIN HOOK
2	ADT7V2-02	SHAFT
3	FWM8.S	FLAT WASHER M8 SINGLE
4	SN8.SW	WING NUT M8 (SINGLE)
5	ADT7V2-05	PLATE
6	SN8.S	STEEL NUT M8 ZINC DIN934 (SINGLE)
7	SN10.S	STEEL NUT M10 ZINC DIN934(SINGLE)
8	ADT7V2-08	WASHER M8
9	ADT7V2-09	BOLT M10X25
10	ADT7V2-10	ANGLE
11	ADT7V2-11	BOLT M8X25
12	ADT7V2-12	CHAIN
13	ADT7V2-13	TOP SADDLE PLATE
14	ADT7V2-14	PIN 2.5X25
15	ADT7V2-15	CASTLE NUT M10

Item	Part No.	Description
16	ADT7V2-16	WASHER M12
17	B/51101	BEARING RACE 51101
18	ADT7V2-18	SCREW
19	ADT7V2-19	KNOB
20	ADT7V2-20	SPRING PIN 4X24
21	ADT7V2-21	SCREW
22	ADT7V2-22	RETAINING RING
23	ADT7V2-23	THREADED SHAFT
24	ADT7V2-24	ANCHOR SHAFT
25	ADT7V2-25	MIDDLE PLATE
26	ADT7V2-26	UNDER PLATE
27	ADT7V2-27	BOLT M8X20
28	ADT7V2-28	TRANSITION SLEEVE
29	ADT7V2-29	SHAFT
30	ADT7V2-30	RETAINING RING

**NOTE:** It is our policy to continually improve products and as such we reserve the right to alter data, specifications and component parts without prior notice.

**IMPORTANT:** No liability is accepted for incorrect use of product.

**WARRANTY:** Guarantee is 12 months from purchase date, proof of which will be required for any claim.