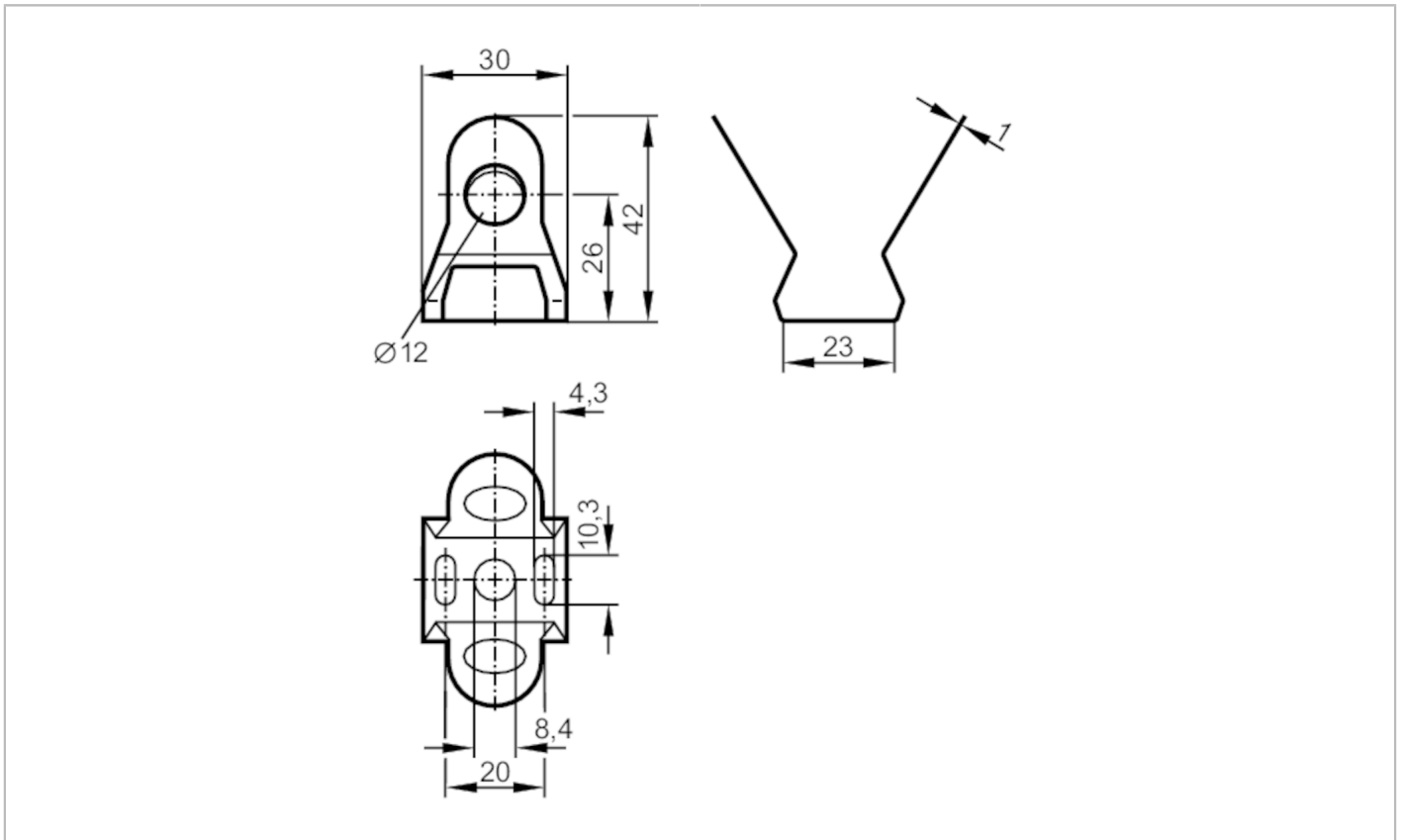


# E11530



## Mounting clip

MOUNTING CLIP V4A D12 MM



### Application

Design for smooth-body units Ø 12 mm

### Mechanical data

Weight	[g]	14.7
Dimensions	[mm]	Ø 12
Materials		stainless steel (1.4404 / 316L)

### Remarks

Pack quantity 1 pcs.

### Diagrams and graphs