

## TERMINAL MODULE CUBE 67 IP67

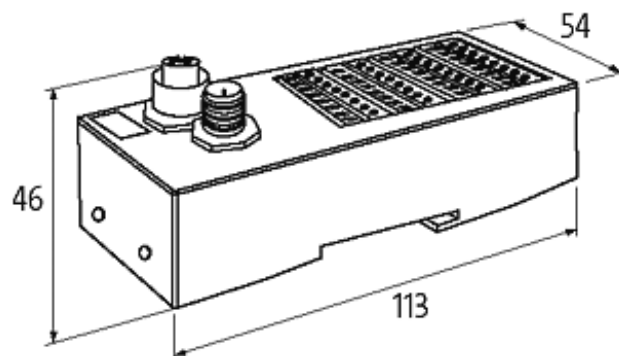
8 digital inputs, 8 multifunction channels

Terminal module  
DIO8/DI8 - (E) TB-Rail

Housing fully potted. For connection cables please see chapter "Connection Technology"

### [Link to Product](#)

#### Illustration



Product may differ from Image

#### Approvals



#### Input

Sensor supply US	24 V DC (EN 61131-2), max. 8 × 200 mA
Type	for 3-wire sensors or mechanical switches, PNP, (EN 61131-2)
Input filter	1 ms

Internal communication	
Current consumption	max. 50 mA
LED display	US: sensor supply and internal supply voltage (green: OK); UA: actuator supply (green: OK)
Connections	
Fieldbus	via internal system connection
Sensor-system/actuator supply	via internal system connection (max. 2×4 A)
I/O ports	M12 (male) 5-pole, A-coded
General data	
Protection	IP20
Mounting method	DIN-rail mountable (EN 60715)
Temperature range	0...+55 °C (storage temperature -20...+75 °C)
Dimensions H × W × D	113×54×45 mm
Parameterization	
Terminal row X0 (8 channels)	Input
Terminal row X1 (8 channels)	Input/output
Output	
Actuator supply UA	24 V DC (EN 61131-2), via system connection (max. 4 A)
Switching current per output	max. 0.5 A (short-circuit and overload protected)
Lamp load	10 W
Diagnostic	
Communication status	via LED
Diagnostic via LED	per module and channel
Diagnostic via BUS	per module and channel
Monitoring - under voltage	yes
Monitoring - no voltage	yes
Short circuit and overload	yes
Actuator warning	per channel via LED and BUS
Commercial data	
country of origin	DE
customs tariff number	85176200
minimum order quantity	1