



SAFETY POS. SWITCH W. SEPARATE ACTUATOR, PLASTIC ENCLOSURE TO EN50047, 31MM; 1NO/1NC SLOW-ACTION CONTACTS 5 DIRECTIONS OF APPROACH W. M12 CONNECTOR, 4-POLE PIN ASSIGNMENT: PIN1=21, PIN2=22, PIN3=13, PIN4=14, FOR MAX.250V AND 4A, THE MATCHING SEPARATE ACTUATOR 3SE5000-0AV0. IS TO BE ORDERED SEPARATELY

|   |  |   |
|---|--|---|
| Product designation   |  | position switch with separate actuator  |
| <b>Manufacturer article number</b>  |  |   |
| <ul style="list-style-type: none"> <li>of the optional actuators</li> </ul> |  | 3SE5000-0AV01 standard actuator, 3SE5000-0AV02 actuator with vertical mounting, 3SE5000-0AV03 actuator with horizontal mounting, 3SE5000-0AV04 radius actuator left, 3SE5000-0AV05 universal actuator, 3SE5000-0AV06 radius actuator right, 3SE5000-0AV07 heavy-duty actuator, 3SE5000-0AW11 plastic actuator, 3SE5000-0AW21 stainless steel actuator |

| General technical data:  |    |              |
|--|----|--------------|
| <b>Product function</b>  |    |              |
| <ul style="list-style-type: none"> <li>positive opening</li> </ul>   |    | Yes          |
| <b>Insulation voltage</b>  |    |              |
| <ul style="list-style-type: none"> <li>Rated value</li> </ul>  | V  | 250          |
| <b>Degree of pollution</b>   |    | class 3      |
| <b>Shock resistance</b>  |    | 30g / 11 ms  |
| <b>Vibration resistance</b>  |    | 0.35 mm / 5g |
| <b>Surge voltage resistance Rated value</b>  | kV | 2.5          |
| <b>Mechanical service life (switching cycles)</b>  |    |              |
| <ul style="list-style-type: none"> <li>typical</li> </ul>  |    | 1 000 000    |
| <b>Electrical endurance (switching cycles)</b>   |    |              |
| <ul style="list-style-type: none"> <li>at AC-15 at 230 V typical</li> </ul>                                      |    | 100 000      |
| <b>Electrical operating cycles in one hour with contactor 3RH11, 3RT1016, 3RT1017, 3RT1024, 3RT1025, 3RT1026</b> |    | 6 000        |
| <b>Thermal current</b>   | A  | 4            |

|  |    |            |
|--|----|------------|
| <b>Material of the enclosure of the switch head</b>  |    | plastic    |
| <b>Protection class IP</b>   |    | IP65       |
| <b>Equipment marking</b>   |    | B          |
| <ul style="list-style-type: none"> <li>• acc. to DIN EN 61346-2</li> <li>• acc. to DIN EN 81346-2</li> </ul> |    | B          |
| <b>Active principle</b>  |    | mechanical |
| <b>Repeat accuracy</b>   | mm | 0.05       |
| Explosion protection category for dust   |    | none       |
| Explosion protection category for gas  |    | none       |
| Minimum actuating force in activation direction  | N  | 20         |
| <b>Operating current at AC-15</b>  |    |            |
| <ul style="list-style-type: none"> <li>• at 230 V Rated value</li> </ul>                                     | A  | 3          |
| <b>Operating current</b>   |    |            |
| <ul style="list-style-type: none"> <li>• at DC-13 at 125 V Rated value</li> </ul>                            | A  | 0.55       |
| <b>Operating current</b>   |    |            |
| <ul style="list-style-type: none"> <li>• at DC-13</li> <li>— at 24 V Rated value</li> </ul>                  | A  | 3          |

#### Enclosure:

|   |  |               |
|---|--|---------------|
| <b>Design of the housing</b>                  |  | block, narrow |
| <b>Material of the enclosure</b>              |  | plastic       |
| <b>Coating of the enclosure</b>               |  | Other types   |
| <b>Design of the housing acc. to standard</b> |  | Yes           |

#### Drive Head:

|  |  |                          |
|--|--|--------------------------|
| <b>Design of the operating mechanism</b> |  | 5 directions of approach |
| <b>Standard-compliant actuator head</b>  |  | EN 50047                 |
| <b>Design of the switching function</b>  |  | positive opening         |

#### Connections/ Terminals:

|                                      |  |                 |
|--------------------------------------|--|-----------------|
| <b>Type of electrical connection</b> |  | M12 plug, fixed |
|--------------------------------------|--|-----------------|

#### Mechanical data:

|                                     |  |   |
|-------------------------------------|--|---|
| <b>Cable entry type</b>             |  | M12 plug  |
| <b>Design of plug-in connection</b> |  | M12 plug, 4-pole: Pin 1 = terminal 21, Pin 2 = 22, Pin 3 = 13, Pin 4 = 14 |

#### Communication/ Protocol:

|                                |  |         |
|--------------------------------|--|---------|
| <b>Design of the interface</b> |  | without |
|--------------------------------|--|---------|

#### Ambient conditions:

|  |    |             |
|--|----|-------------|
| <b>Ambient temperature</b>   |    |             |
| <ul style="list-style-type: none"> <li>• during operation</li> </ul> | °C | -25 ... +85 |
| <ul style="list-style-type: none"> <li>• during storage</li> </ul>   | °C | -40 ... +90 |

#### Installation/ mounting/ dimensions:

|                          |  |     |
|--------------------------|--|-----|
| <b>mounting position</b> |  | any |
|--------------------------|--|-----|

Mounting type

screw fixing

### Certificates/ approvals:

General Product Approval

Declaration of  
Conformity

Test  
Certificates



CCC



CSA



UL



EG-Konf.

[Special Test  
Certificate](#)

other

[Confirmation](#)

### Further information

**Information- and Downloadcenter (Catalogs, Brochures,...)**

<http://www.siemens.com/industrial-controls/catalogs>

**Industry Mall (Online ordering system)**

<http://www.siemens.com/industrymall>

**Cax online generator**

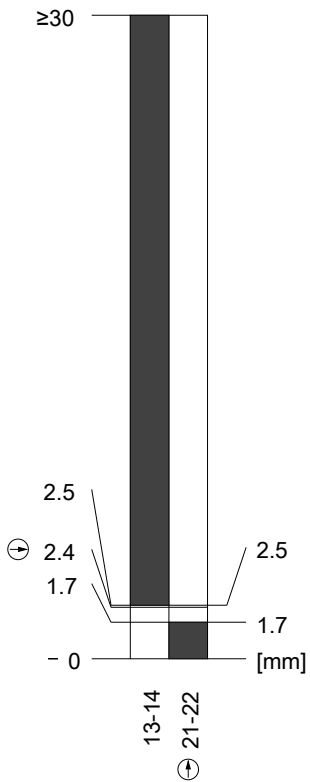
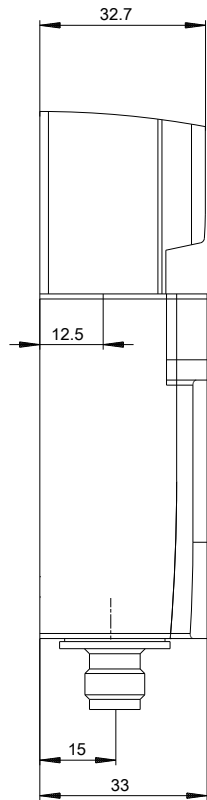
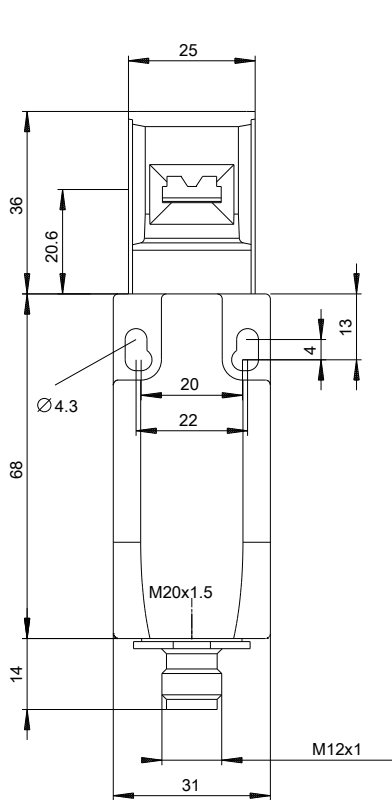
<http://support.automation.siemens.com/WW/CAXorder/default.aspx?lang=en&mlfb=3SE52340RV401AC4>

**Service&Support (Manuals, Certificates, Characteristics, FAQs,...)**

<http://support.automation.siemens.com/WW/view/en/3SE52340RV401AC4/all>

**Image database (product images, 2D dimension drawings, 3D models, device circuit diagrams, EPLAN macros, ...)**

[http://www.automation.siemens.com/bilddb/cax\\_de.aspx?mlfb=3SE52340RV401AC4&lang=en](http://www.automation.siemens.com/bilddb/cax_de.aspx?mlfb=3SE52340RV401AC4&lang=en)



last modified:

09.03.2015