

ADAPTER FOR BASE, CABLE OUTLET LATERALLY WITH MAGNET FOR MOUNTING



General technical data:

product brand name		SIRIUS
Equipment marking acc. to DIN EN 61346-2		X

Mechanical data:

Type of electrical connection		screw-type terminals
Outer diameter of the signal column element	mm	70

Ambient conditions:

Ambient temperature during operation	°C	-30 ... +60
Depth	mm	90.6
Height	mm	45.5
Width	mm	70

Certificates/ approvals:

General Product Approval	EMC	Shipping Approval			
 UL		 C-TICK	 ABS	 DNV	 PRS

Shipping Approval



Further information

Information- and Downloadcenter (Catalogs, Brochures,...)

<http://www.siemens.com/industrial-controls/catalogs>

Industry Mall (Online ordering system)

<http://www.siemens.com/industrymall>

Cax online generator

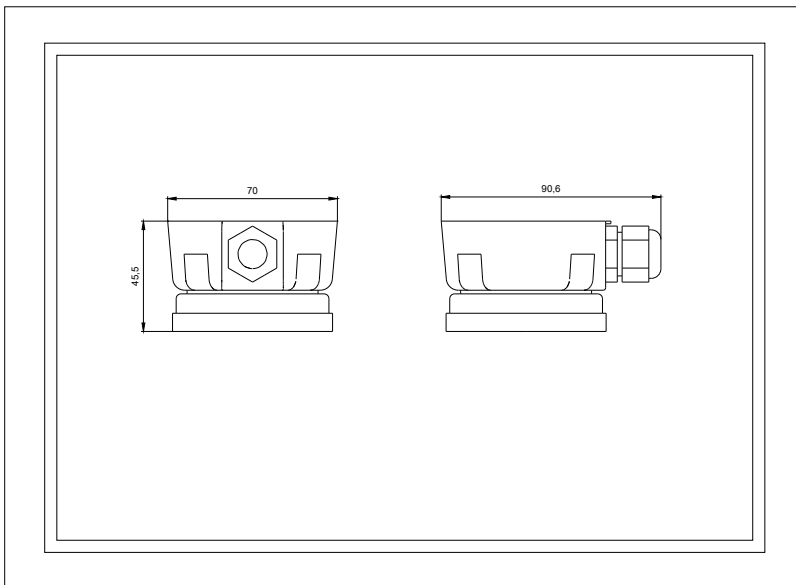
<http://support.automation.siemens.com/WW/CAXorder/default.aspx?lang=en&mlfb=8WD43080DE>

Service&Support (Manuals, Certificates, Characteristics, FAQs,...)

<https://support.industry.siemens.com/cs/ww/en/ps/8WD43080DE>

Image database (product images, 2D dimension drawings, 3D models, device circuit diagrams, EPLAN macros, ...)

http://www.automation.siemens.com/bilddb/cax_de.aspx?mlfb=8WD43080DE&lang=en



last modified:

15.01.2015