

## Panhead screw, cross recess (M2.5x8), steel nickel plated

Catalog Number: 21101-069

- Panhead screw
- For PCBs on PCB bracket



### Description

#### Accessories:

Panhead screw

#### Product family:

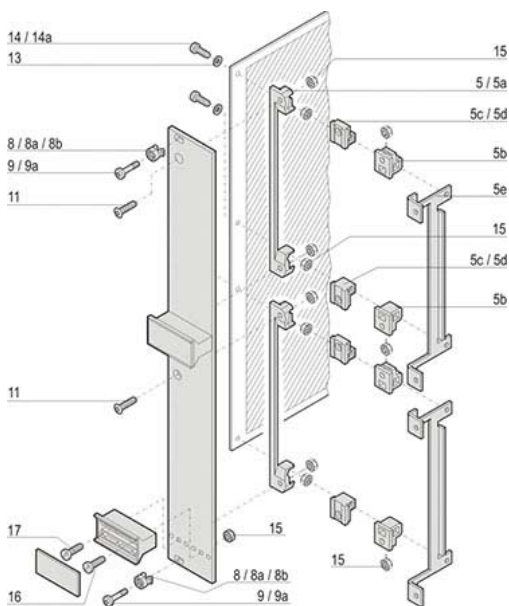
- Plug in units
- PCB Accessories

#### Delivery Comprises:

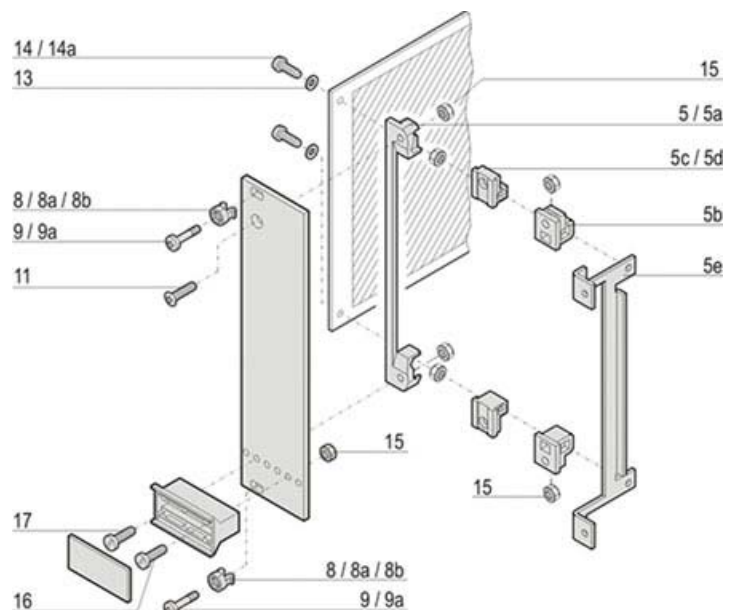
Item	Quantity	Description
2	2	2

### Technical Data

<b>Catalog Number</b>	21101-069
<b>Length mm</b>	8.0
<b>Material</b>	St, nickel-plated
<b>Dimension [mm]</b>	M2.5 x 8
<b>Qty</b>	PU 100 pieces
<b>Colour</b>	nickel-plated
<b>Material</b>	St, nickel-plated
<b>Application</b>	if using item 13



Item 14, 6 U front panel mounting



Item 14, 3 U front panel mounting