



Specifications:

Mechanical

Operation Force	: 160 ± 50gf Brown (N), MCDTSJW – 66 160 ± 50gf Silver (S), MCDTSJW – 68
Stop Strength	: Max. 3kgf vertical static load continuously for 15 seconds
Stroke	: 0.25 +0.20 / - 0.1 mm 66N, 68S
Operation Temperature	: -25°C to +70°C
Storage Temperature	: -30°C to + 80°C

Electrical

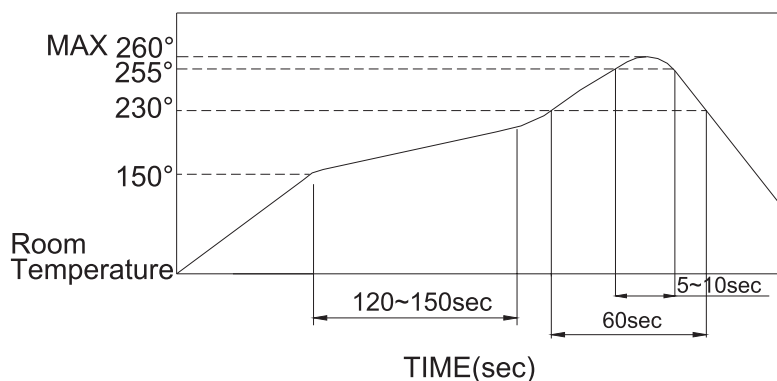
Electrical Life	: 100,000 cycles min. for MCDTSJW-66N, 68S
Rating	: 50mA, 12VDC
Contact Resistance	: 100mΩ max.
Insulation Resistance	: 100MΩ min. at 500VDC
Dielectric Strength	: 250V AC / minute
Contact Arrangement	: 1 pole 1 throw

Materials

Cover	: Stainless steel
Terminal	: Brass with silver plated
Base	: Nylon High-Temp. Thermoplastic
Colour	: Black

Soldering Process:

- Hand Soldering : Use a soldering iron of 30 watts, controlled at 350°C approximately maximum 5 seconds while applying solder.
- Soldering : Vapour phase and reflow soldering can be applied.

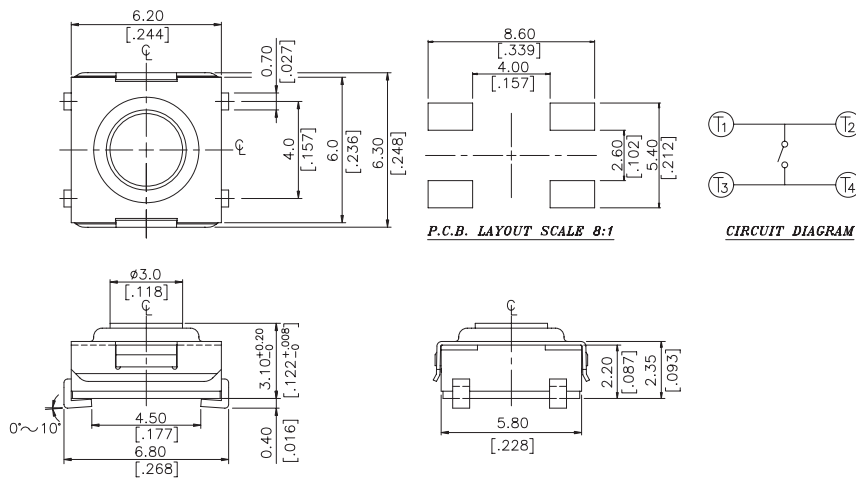


Specification Table

Item	MCDTSJW-66N	MCDTSJW-68S
Stem	High-Temp Thermoplastic Colour - Brown (N), 160gf	None
Adhesive Tape	PTFE	PTFE (standard) Kapton (V-option)
Metal Stem	Brass with Nickel plated	Brass with Nickel plated
Contact	Phosphor bronze with silver cladding (Standard) Stainless steel (V-option)	

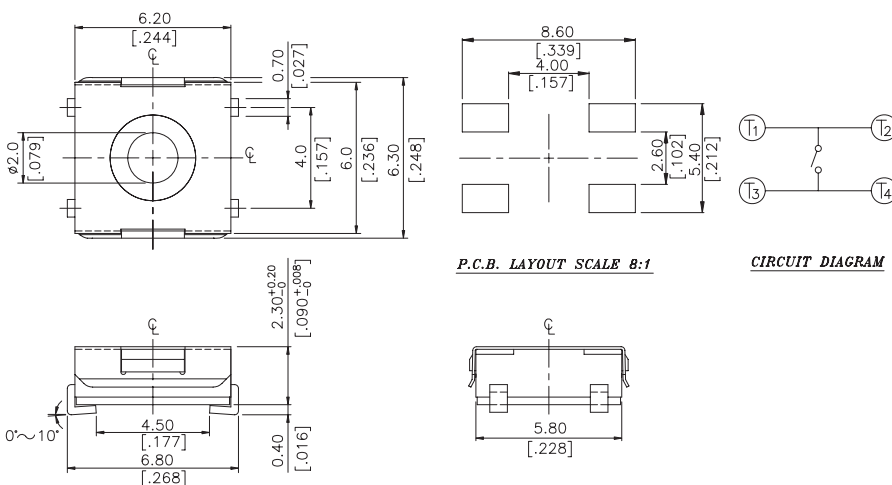
Dimensions:

MCDTSJW-66



General Tolerance : $\pm 0.2\text{mm}$

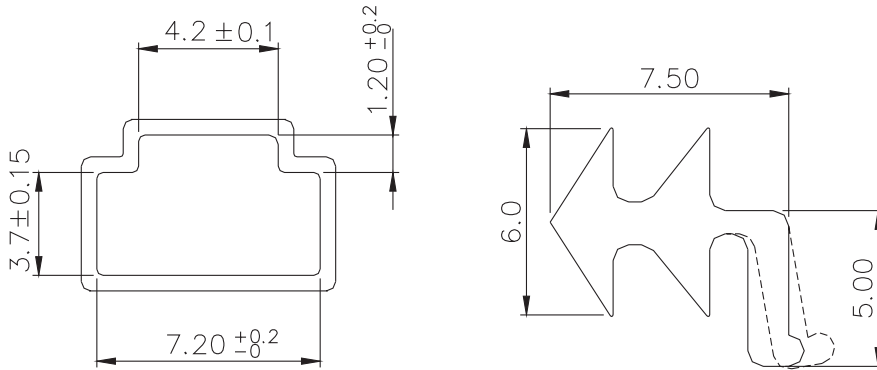
MCDTSJW-68



General Tolerance : $\pm 0.2\text{mm}$

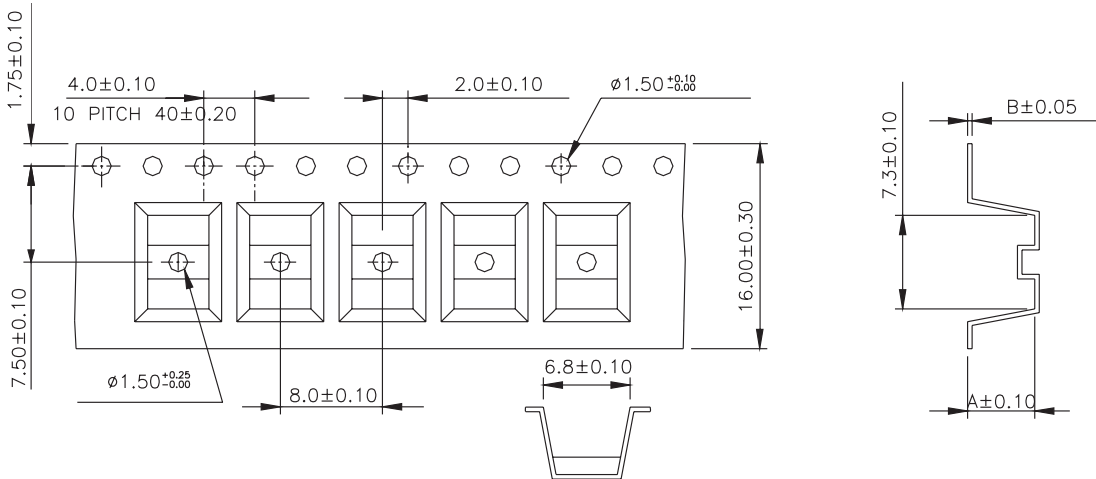
Newark.com/multicomp-pro
Farnell.com/multicomp-pro
Element14.com/multicomp-pro

Tube



General Tolerance : ±0.1mm

Reel



General Tolerance : ±0.1mm

Part Number Table

Description	Part Number
Tactile Switch, Washable 2.3mm, 160G	MCDTSJW6-6N
	MCDTSJW6-8S

Important Notice : This data sheet and its contents (the "Information") belong to the members of the AVNET group of companies (the "Group") or are licensed to it. No licence is granted for the use of it other than for information purposes in connection with the products to which it relates. No licence of any intellectual property rights is granted. The Information is subject to change without notice and replaces all data sheets previously supplied. The Information supplied is believed to be accurate but the Group assumes no responsibility for its accuracy or completeness, any error in or omission from it or for any use made of it. Users of this data sheet should check for themselves the Information and the suitability of the products for their purpose and not make any assumptions based on information included or omitted. Liability for loss or damage resulting from any reliance on the Information or use of it (including liability resulting from negligence or where the Group was aware of the possibility of such loss or damage arising) is excluded. This will not operate to limit or restrict the Group's liability for death or personal injury resulting from its negligence. Multicomp Pro is the registered trademark of Premier Farnell Limited 2019.