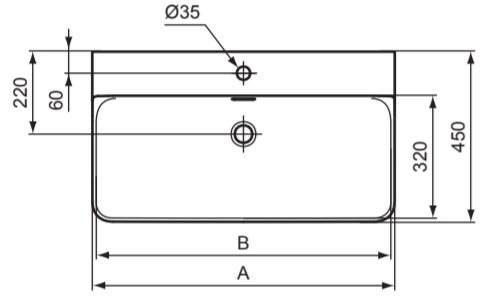
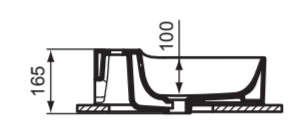
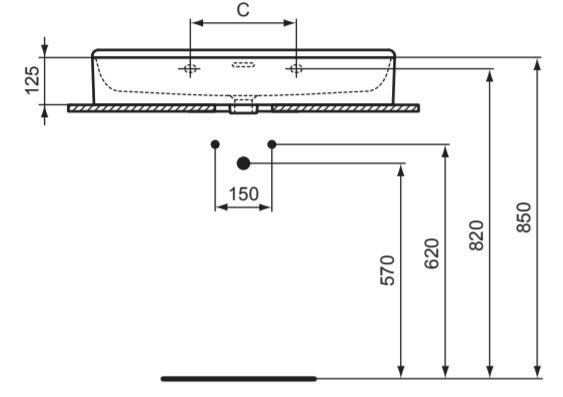
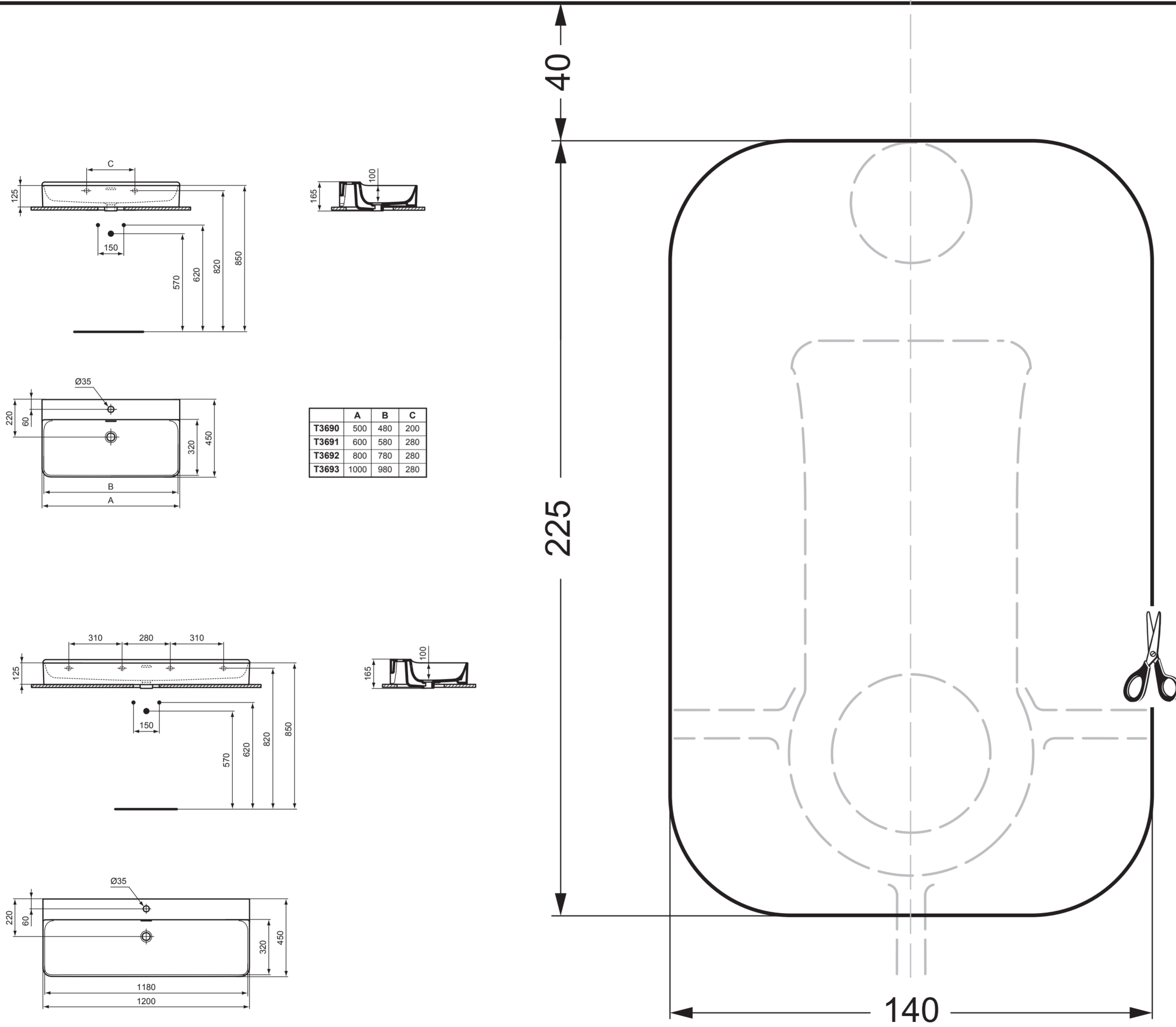




Ideal Standard



	A	B	C
T3690	500	480	200
T3691	600	580	280
T3692	800	780	280
T3693	1000	980	280

