

Dot laser, green, 532 nm, 1 mW

DJ532-1-3(20x80)
Order Number: 70102307

| Main Parameters (*) | min | typ | max | Unit |
|-----------------------|-----|-----|-----|------|
| Wavelength | | 532 | | nm |
| Optical Output Power | | 1 | | mW |
| Operating Voltage | 2.7 | 3 | 3.3 | V DC |
| Operating Current | | 250 | | mA |
| Operating Temperature | 15 | | 30 | °C |
| Storage Temperature | -40 | | 80 | °C |

Main Data

| | |
|----------|---------|
| Warranty | 1 years |
|----------|---------|

Technical Parameters

| | |
|----------|-----------|
| Lifetime | > 5,000 h |
| RoHS | yes |

Optical Parameters

| | |
|------------------|----------------------|
| Beam Shape | Dot |
| Laser Class | 2 |
| Divergence | J - 2.0 mrad |
| Beam Diameter | 0.15 mm |
| Size of Laserdot | 0.15mm@10mm |
| Optics | glass lens AR coated |
| Beam Mode | TEM00 |
| Laser technology | YVO4+KTP |
| Protection Lens | no |
| Focus | fixed (10mm) |
| Warm up time | < 15 min |

Electrical Parameters

| | |
|----------------------|----------|
| Potential of Housing | isolated |
|----------------------|----------|

Mechanical Parameters

| | |
|-----------------|-----------|
| Size | Ø20x80 mm |
| Material | aluminium |
| Cable length | 100 mm |
| Output Aperture | 5 mm |
| Housing Color | black |
| Weight | 55 g |

(*) Over the complete operating temperature range

Features



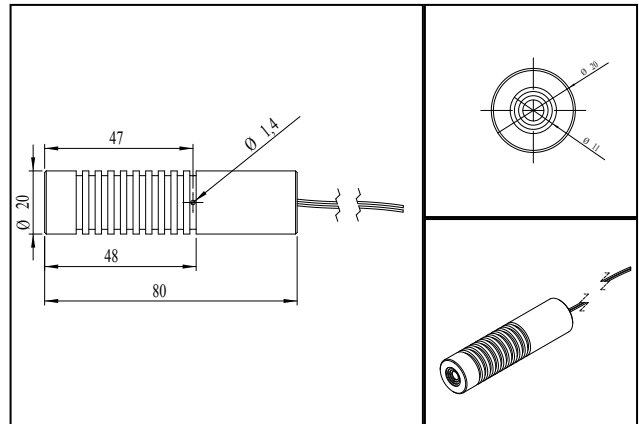
Picture



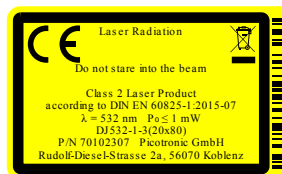
Cable color

| | | | |
|----------|--|------|-----------------------|
| Ground |  | blue | GND |
| positive |  | red | 2.7 - 3.3, typ 3 V DC |

Drawing



Safety Label



Valid Revision

3 | 15-JAN-2020