

Gear Racks from Bright Steel C45K, Straight Tooth System, Milled Teeth

Material: Bright steel C45K.

Reference profile 2 DIN 867 / DIN 3972. Pressure angle 20°. Tooth quality 8d25 DIN 3967. Precisely straightened.

Rounded edge at square bar of 15 up to 60 mm.

Chamfered edge at square bar of 80 up to 100 mm.

All gear racks from module 2, except for nominal length 500 mm, are cut off for continuous linking, with gap.

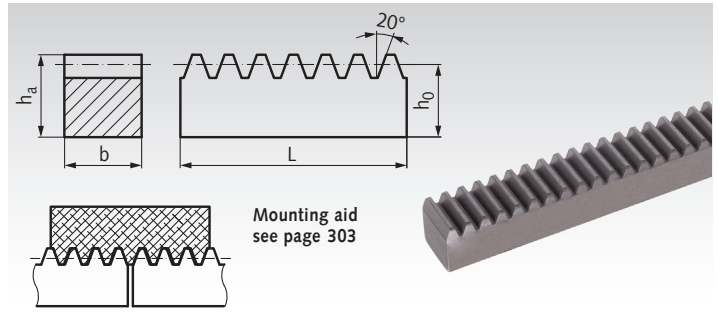
Production-related tolerances of dimensions h_a and h_0 :

module 0.5 - 2: -0.2 mm

module 2.5 - 4: -0.3 mm

module 5 - 8: -0.4 mm

module 10: -0.5 mm



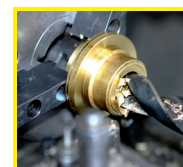
Ordering Details: e.g.: Product No. 224 603 00, Gear Rack, C45K, Module 1, 250 mm.

Product No.	Module	b^{h11} mm	h_a mm	h_0 mm	Nom. Length L mm	Eff. Length mm	Weight kg
221 601 00	0,5*	4	6	5,5	250		0,04
222 601 00	0,7**	5	7	6,3	250		0,06
223 601 00	1**	7	5	4,0	250		0,05
224 603 00	1	10	10	9,0	250		0,17
224 605 00	1	10	10	9,0	500		0,34
224 608 00	1	10	10	9,0	1000		0,68
224 610 00	1	15	15	14,0	500		0,81
224 612 00	1	15	15	14,0	1000		1,61
226 601 00	1,25	10	10	8,75	250		0,16
226 603 00	1,25	10	10	8,75	500		0,33
226 605 00	1,25	10	10	8,75	1000		0,66
227 601 00	1,5	10	10	8,5	500		0,32
227 605 00	1,5	10	10	8,5	1000		0,63
228 601 00	1,5	15	10	8,5	1000		0,95
228 603 00	1,5	15	15	13,5	500		0,77
228 605 00	1,5	15	15	13,5	1000		1,54
228 607 00	1,5	15	15	13,5	1500		2,33
241 601 00	2	16	20	18,0	1000	1005,0 ⁻¹	2,22
241 603 00	2	20	20	18,0	500		1,38
241 605 00	2	20	20	18,0	1000	1005,0 ⁻¹	2,77
241 607 00	2	20	20	18,0	1500	1501,0 ⁻¹	4,12
241 609 00	2	20	20	18,0	2000	2004,0 ^{-1,5}	5,50
242 601 00	2,5	20	25	22,5	1000	1005,0 ⁻¹	3,47
242 603 00	2,5	25	25	22,5	500		2,17
242 605 00	2,5	25	25	22,5	1000	1005,0 ⁻¹	4,31
242 607 00	2,5	25	25	22,5	1500	1507,5 ⁻¹	6,46
242 609 00	2,5	25	25	22,5	2000	2002,5 ^{-1,5}	8,61
243 601 00	3	25	30	27,0	1000	1008,0 ^{-1,5}	5,24
243 603 00	3	30	30	27,0	500		3,17
243 605 00	3	30	30	27,0	1000	1008,0 ^{-1,5}	6,27
243 607 00	3	30	30	27,0	1500	1507,5 ^{-1,5}	9,33
243 609 00	3	30	30	27,0	2000	2007,0 ^{-1,5}	12,43
244 601 00	4	30	40	36,0	1000	1005,0 ^{-1,5}	8,43
244 603 00	4	40	40	36,0	500		5,55
244 605 00	4	40	40	36,0	1000	1005,0 ^{-1,5}	11,14
244 607 00	4	40	40	36,0	1500	1507,5 ⁻¹	16,50
244 609 00	4	40	40	36,0	2000	2010,0 ^{-1,5}	22,50
245 601 00	5	40	50	45,0	1000	1005,0 ^{-1,5}	14,00
245 603 00	5	50	50	45,0	500		8,50
245 605 00	5	50	50	45,0	1000	1005,0 ^{-1,5}	17,50
245 607 00	5	50	50	45,0	1500	1507,5 ^{-1,5}	26,00
245 609 00	5	50	50	4,0	2000	2010,0 ^{-1,5}	35,00
246 601 00	6	60	60	54,0	500		12,50
246 603 00	6	60	60	54,0	1000	998,5 ^{-1,5}	25,00
246 605 00	6	60	60	54,0	1500	1507,5 ^{-1,5}	37,50
246 607 00	6	60	60	54,0	2000	1997,5 ^{-1,5}	50,00
248 601 00	8	80	80	72,0	1000	1005,0 ^{-1,5}	44,00
248 603 00	8	80	80	72,0	1500	1507,0 ^{-1,5}	66,00
249 603 00	10	100	100	90,0	1000	1005,3 ⁻²	70,00
249 605 00	10	100	100	90,0	1500	1508,0 ⁻²	105,00

* Key Steel.

** St37K.

Spur Gears
Page 232



Reworking within
24h-service possible.
Custom made parts
on request.