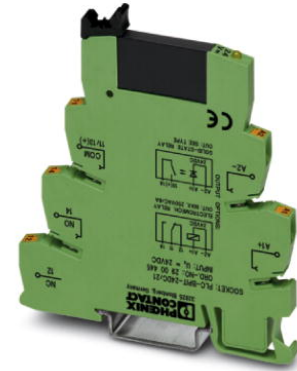


PLC-OPIT- 24DC/ 24DC/2

Order No.: 2900364



<http://eshop.phoenixcontact.de/phoenix/treeViewClick.do?UID=2900364>


PLC interface, consisting of PLC-BPIT basic terminal block with push-in connection and pluggable miniature optocoupler, for assembly on DIN rail NS 35/7.5, input: 24 V DC, output: 3-33 V DC/3 A



| Commercial data | |
|--------------------------|---------------------|
| GTIN (EAN) | 4046356508780 |
| sales group | G247 |
| Pack | 10 pcs. |
| Customs tariff | 85364190 |
| Weight/Piece | 0.03464 KG |
| Catalog page information | Page 223 (NTK-2010) |

Product notes

WEEE/RoHS-compliant since:
03/22/2010



<http://www.download.phoenixcontact.com>
Please note that the data given here has been taken from the online catalog. For comprehensive information and data, please refer to the user documentation. The General Terms and Conditions of Use apply to Internet downloads.

Technical data

| General data | |
|---------------------------------|------------------|
| Width | 6.2 mm |
| Height | 94 mm |
| Depth | 80 mm |
| Ambient temperature (operation) | -25 °C ... 60 °C |

| | |
|---------------------------------------------------|---------------------------|
| Ambient temperature (storage/transport) | -25 °C ... 70 °C |
| Operating mode | 100% operating factor |
| Inflammability class in acc. with UL 94 (housing) | V0 |
| Standard designation | Standards/regulations |
| Standards/regulations | IEC 60664 |
| | IEC 60664 A |
| | DIN VDE 0110 |
| Pollution degree | 2 |
| Surge voltage category | III |
| Mounting position | Any |
| Assembly instructions | In rows with zero spacing |

Connection data

| | |
|----------------------------------------|----------------------|
| Type of connection | Push-in connection |
| Conductor cross section solid min. | 0.14 mm ² |
| Conductor cross section solid max. | 2.5 mm ² |
| Conductor cross section stranded min. | 0.14 mm ² |
| Conductor cross section stranded max. | 2.5 mm ² |
| Conductor cross section AWG/kcmil min. | 26 |
| Conductor cross section AWG/kcmil max | 14 |
| Stripping length | 8 mm |

Certificates / Approvals

Certification CUL, CUL Listed, UL, UL Listed

Accessories

| Item | Designation | Description |
|-----------------|------------------------------|------------------------------------------------------------------------------------------------------------------------------|
| Assembly | | |
| 0801762 | NS 35/ 7,5 CU UNPERF 2000MM | DIN rail, material: Copper, unperforated, height 7.5 mm, width 35 mm, length: 2 m |
| 0801733 | NS 35/ 7,5 PERF 2000MM | DIN rail, material: Steel, galvanized and passivated with a thick layer, perforated, height 7.5 mm, width 35 mm, length: 2 m |
| 0801681 | NS 35/ 7,5 UNPERF 2000MM | DIN rail, material: Steel, unperforated, height 7.5 mm, width 35 mm, length: 2 m |
| 0801377 | NS 35/ 7,5 V2A UNPERF 2000MM | DIN rail, Width: 35 mm, Height: 7.5 mm, Length: 2000 mm, Color: silver |

| | | |
|---------|----------------------------|--------------------------------------------------------------------------------------------------------------------------------------------------------------------------------------------------------------------------------------------------------|
| 1201756 | NS 35/15 AL UNPERF 2000MM | DIN rail, deep-drawn, high profile, unperforated, 1.5 mm thick, material: Aluminum, height 15 mm, width 35 mm, length 2 m |
| 1201895 | NS 35/15 CU UNPERF 2000MM | DIN rail, material: Copper, unperforated, 1.5 mm thick, height 15 mm, width 35 mm, length: 2 m |
| 1201730 | NS 35/15 PERF 2000MM | DIN rail, material: Steel, perforated, height 15 mm, width 35 mm, length: 2 m |
| 1201714 | NS 35/15 UNPERF 2000MM | DIN rail, material: Steel, unperforated, height 15 mm, width 35 mm, length: 2 m |
| 1201798 | NS 35/15-2,3 UNPERF 2000MM | DIN rail, material: Steel, unperforated, 2.3 mm thick, height 15 mm, width 35 mm, length: 2 m |
| 2966841 | PLC-ATP BK | Separating plate, 2 mm thick, required at the start and end of a PLC terminal strip. Furthermore, it is used for: visual separation of groups, safe isolation of different voltages of neighboring PLC relays in acc. with DIN VDE 0106-101, isolation |

Bridges

| | | |
|---------|-----------------|--------------------------------------------------------------------------|
| 2966812 | FBST 6-PLC BU | Single plug-in bridge, Length: 6 mm, Number of positions: 2, Color: blue |
| 2966825 | FBST 6-PLC GY | Single plug-in bridge, Length: 6 mm, Number of positions: 2, Color: gray |
| 2966236 | FBST 6-PLC RD | Single plug-in bridge, Length: 6 mm, Number of positions: 2, Color: red |
| 2967688 | FBST 8-PLC GY | Single plug-in bridge, Length: 8 mm, Number of positions: 2, Color: gray |
| 2966692 | FBST 500-PLC BU | Continuous plug-in bridge, Length: 500 mm, Color: blue |
| 2966838 | FBST 500-PLC GY | Continuous plug-in bridge, Length: 500 mm, Color: gray |
| 2966786 | FBST 500-PLC RD | Continuous plug-in bridge, Length: 500 mm, Color: red |

General

| | | |
|---------|-------------------|----------------------------------------------------------------------------------------------------------------------------------------------------------------------------------------------|
| 2966595 | OPT-24DC/ 24DC/ 2 | Pluggable miniature optocouplers, power optocouplers, input: 24 V DC, output: 3-33 V DC/3 A |
| 2900445 | PLC-BPIT- 24DC/21 | 6.2 mm PLC basic terminal blocks with push-in connection method, input voltage of 24 V DC (without relay or optocoupler) |
| 2966508 | PLC-ESK GY | Power terminal block, for the input of up to four potentials, for mounting on NS 35/7.5 |
| 2296061 | PLC-V8/D15B/OUT | V8-OUTPUT adapter for eight 6.2 mm PLC interfaces (1 PDT, etc./see "Additional Products"). 15-pin D-SUB female connector, control logic: Positive switching |
| 2296058 | PLC-V8/D15S/OUT | V8-OUTPUT adapter for eight 6.2 mm PLC interfaces (1 PDT, etc./see "Additional Products"). 15-pin D-SUB male connector, control logic: Positive switching |
| 2295554 | PLC-V8/FLK14/OUT | V8-OUTPUT adapter for eight 6.2 mm PLC interfaces (1 PDT, etc./see "Supplementary Products"). 14-pos. flat-ribbon cable connection for the PLC system cabling, control logic: Plus switching |

| | | |
|---------|--------------------|-----------------------------------------------------------------------------------------------------------------------------------------------------------------------------------------------|
| 2304102 | PLC-V8/FLK14/OUT/M | V8-OUTPUT adapter for eight 6.2 mm PLC interfaces (1 PDT, etc./see "Supplementary Products"). 14-pos. flat-ribbon cable connection for the PLC system cabling, control logic: Minus switching |
|---------|--------------------|-----------------------------------------------------------------------------------------------------------------------------------------------------------------------------------------------|

Marking

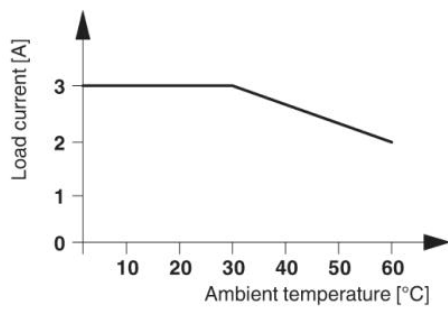
| | | |
|---------|-----------------------|-----------------------------------------------------------------------------------------------------------------------------------------------|
| 1051016 | ZB 6,LGS:FORTL.ZAHLEN | Zack marker strip, 10-section, printed horizontally: with the numbers 1 - 10, 11 - 20 and so on up to 491 - 500, color: white |
| 1051003 | ZB 6:UNBEDRUCKT | Zack strip, unprinted, strips with 10 labels for individual labeling with M-PEN or CMS system, for terminal block width: 6.2 mm, color: white |

Tools

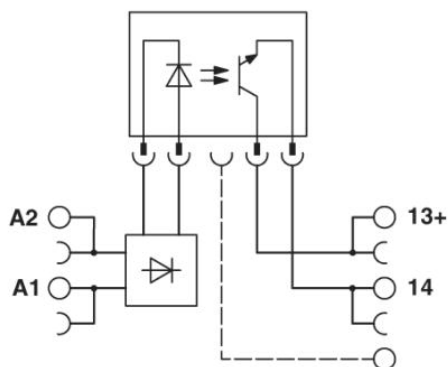
| | | |
|---------|---------------|-------------------------------------------------------|
| 1204517 | SZF 1-0,6X3,5 | Screwdriver, blade: 0.6 x 3.5 x 100 mm, length 180 mm |
|---------|---------------|-------------------------------------------------------|

Diagrams/Drawings

Diagram



Circuit diagram



Address

Phoenix Contact
Rua Gino Cesaro
BR-05038-140 Sao Paulo-SP / 169 - Água
Branca,Brazil
Phone +55/11/3871-6400
Fax +55/11/3871-6401
<http://www.phoenixcontact.com.br>



© 2010 Phoenix Contact
Technical modifications reserved;