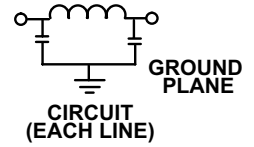
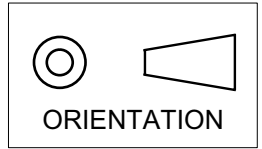


This drawing is the property of Tusonix, Inc., and may not be used, reproduced, published or disclosed to others without expressed authorization by Tusonix Inc.

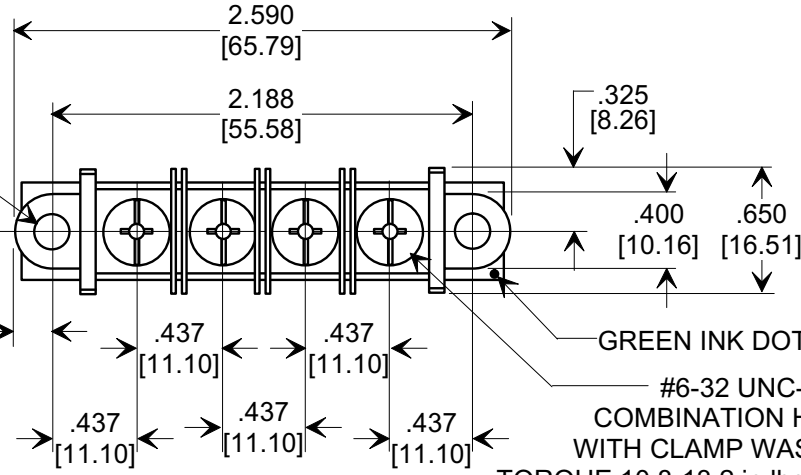
**MARKETING SALES DRAWING**  
**DIMENSIONS IN INCHES - DO NOT SCALE THIS DRAWING**  
**DIMENSIONS IN METRIC - [ ]**



**Electrical Testing**  
per Tusonix standard  
test plans and Mil-Std-202  
Test Methods.

Ø .190 [4.83]  
THRU (2) PLCS.  
(SEE NOTE 2)

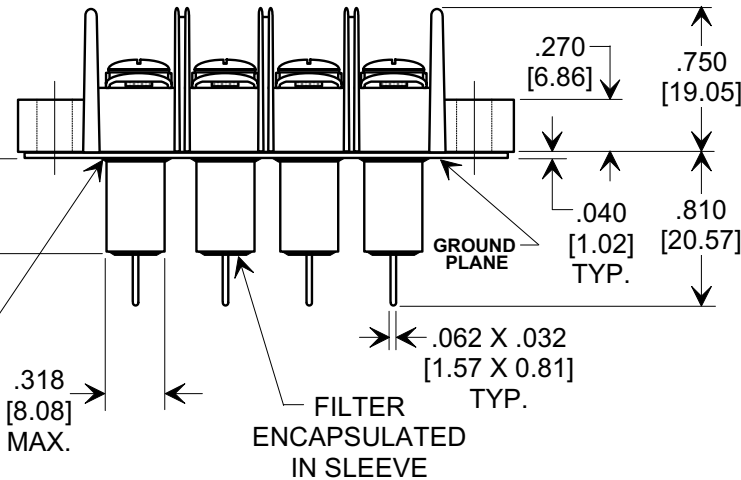
.200 [5.08]  
(2) PLCS.



GREEN INK DOT RoHS ONLY

#6-32 UNC-2A THD.  
COMBINATION HEAD SCREW  
WITH CLAMP WASHER (4) PLCS.  
TORQUE 10.8-13.2 in.lbs. [1.22-1.49 Nm] MAX.

SLEEVES SOLDERED  
TO GROUND PLATE  
.040 [1.02] MAX. FILLET



**NOTES:**

- TUSONIX STANDARD PART NUMBER: 7604-501.  
TUSONIX RoHS COMPLIANT PART NUMBER: 7604-501 LF.  
CUSTOMER MUST SPECIFY STANDARD OR RoHS PART NUMBER WHEN ORDERING.
- LEAD FINISH: MATTE TIN.
- PLATE MATERIAL: .040" COPPER ALLOY, MATTE TIN FINISH.
- PART MARKING: TRADEMARK, PART NUMBER, DATE CODE, AND UL RECOGNITION:  
WHITE INK. RoHS PART: GREEN INK DOT ON TOP OF GROUND PLATE AS SHOWN.
- MAX. SOLDERING TEMPERATURE 500°F [260°C].
- BLOCK MOUNTING: RECOMMENDED MOUNTING SCREWS  
(# 8 PAN HEAD). TORQUE 4.5-5.5 in. lbs. [0.51-0.62 Nm] MAX.
- MOLDED MATERIAL: HIGH TEMPERATURE THERMOPLASTIC (PBT), UL RATED 94 V-O.
- U.L. FILE NO. E201344.

Cx (pF)	WVAC -40°C TO +125°C	I <sub>DC</sub>	I.R. MIN. @ 100 (VDC.)	DWV (VAC)	TYPICAL NO LOAD INSERTION LOSS (dB) @ 25°C PER MIL-STD-220			
					10 MHz	100 MHz	1 GHz	10 GHz
2000 MIN.	250	20 Amps	10 G Ω	1500	5	50	60	65

REVISION RECORD Original Release C.O. <b>19990607-1-08</b> REVISED BLOCK & NOTE 3. ADDED NOTE 5. S.M. 01-28-00 <b>20000127-3-03</b> ADDED IR & DWV. REVISED METRIC & NOTES. S.M.08-09-04 <b>20040802-1-07</b> ADDED NOTES 1-4 & RENUMBERED. S.M. 10-12-05 <b>20050926-5-11</b> NOTES 4 & 6 REVISED. ADDED INK DOT. REVISED TORQUE. S.M. 01-23-06 <b>20060103-1-03</b>	TOLERANCES unless otherwise specified 2 PLC. DECIMAL ± N/A 3 PLC. DECIMAL ± .030 [0.76]		Title <b>FILTERED TERMINAL  BLOCK 4 POSITION,  UL RECOGNIZED</b>	
	ANGLES ± N/A		Drawn S.M. 06-08-99	Scale FULL
	<b>TUSONIX</b> TUCSON, ARIZONA		Approved T.C. 06-08-99	
	<b>A</b>		<b>7604-501</b>	

X-2015 Rev-0