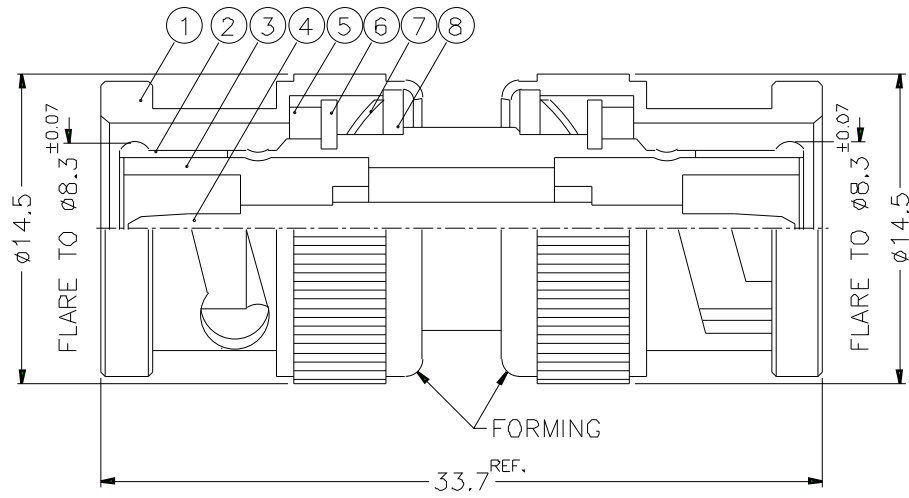


1			2			3			4			5			6			7			8		
REVISIONS																							
ISS	ZONE	DESCRIPTION\PER REQUEST\DATE																					



NOTES: FINISH (PLATING THICKNESS IN MICRO-INCHES)

- 1. BRASS PER QQ-B-626
- 2. BRASS PER QQ-B-613
- 3. NICKEL PL. 100 MIN. THICK OVER COPPER STRIKE
- 4. NICKEL PL. 200 MIN. THICK OVER COPPER STRIKE
- 5. GOLD PL. 3 MIN. THICK OVER NICKEL PL. 100 MIN. THICK OVER COPPER STRIKE

8	WASHER	NOTE 2	NOTE 3	2	WS-128/9X08	DIMENSIONS ARE IN MILLIMETERS				PART NO.	<b>Amphenol</b>		
7	SPRING	SK5	NOTE 4	2	B50000-6	UNLESS OTHERWISE SPECIFIED TOLERANCES				APPROVED			
6	RETAINER RING	NOTE 1	NOTE 3	2	B50000-5	0.5-6 = ±0.2				CHECKED	DATE	BNC MALE TO BNC MALE ADAPTOR	
5	GASKET	RUBBER	RED	2	CS-115/8X15	6-30 = ±0.4				DRAWN	DATE	KJ-B2071A2-ND3G-50	
4	CONTACT PIN	NOTE 1	NOTE 5	1	B5900-5	30-120 = ±0.6				FILE NO.			
3	INSULATOR	DELTRIN	NATURAL	2	B50002-3-50	120-315 = ±1							
2	BODY	NOTE 1	NOTE 3	1	B5900-2	315-1000 = ±1.6							
1	SHELL	NOTE 1	NOTE 3	2	B50000-1-B	1000-2000 = ±2.4							
NO.	DESCRIPTION	MATERIAL	FINISH	Q'TY	DRAWING NO.	SCALE	3/1	ISSUE	A	FILE NO.			

1	2	3	4	5	6	7	8
---	---	---	---	---	---	---	---