

PART NAME

NEMA 4X DIE CAST ALUMINUM ENCLOSURE

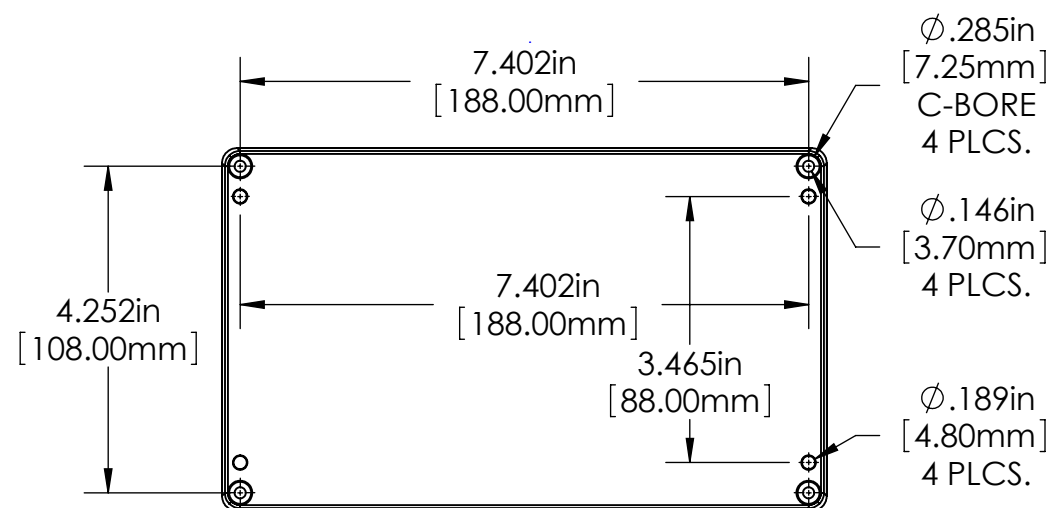
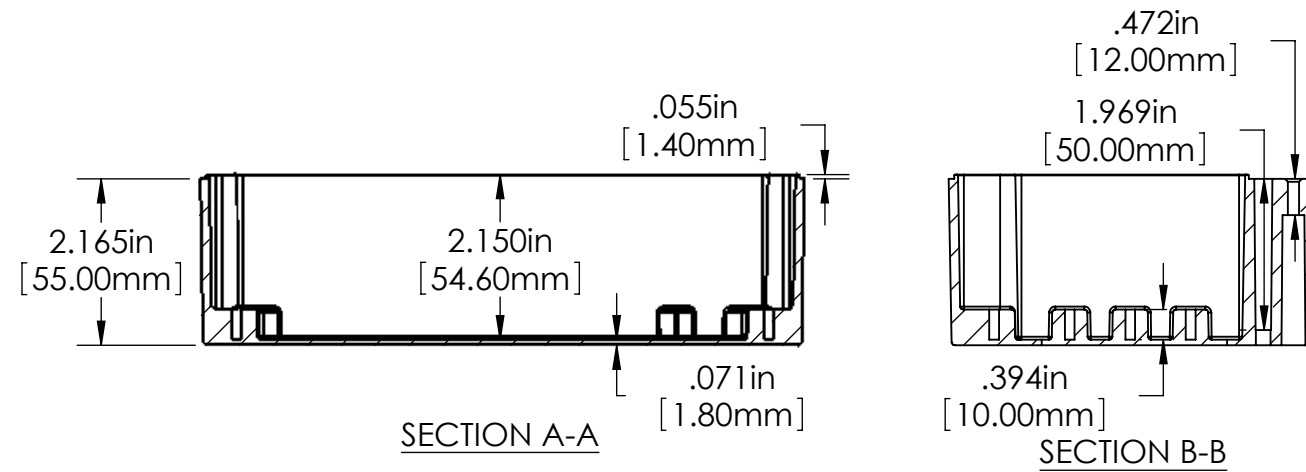
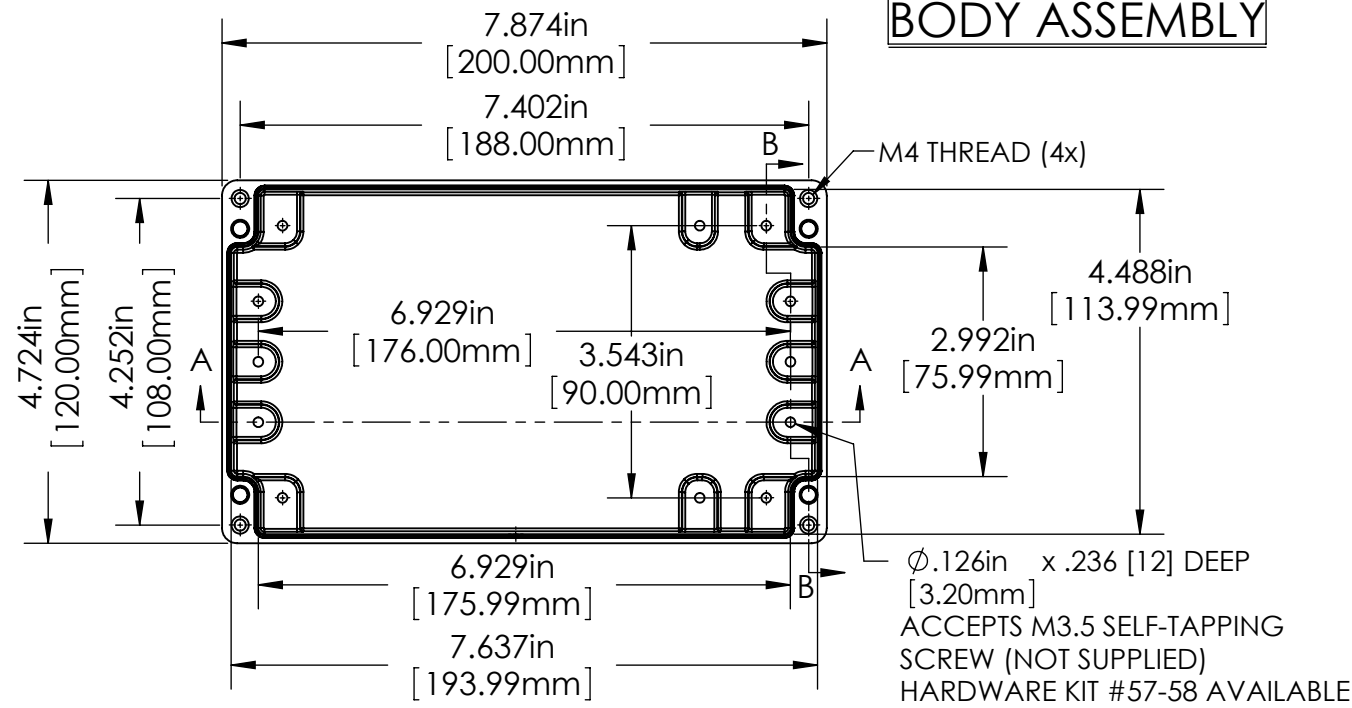
PART No.

AN-1322

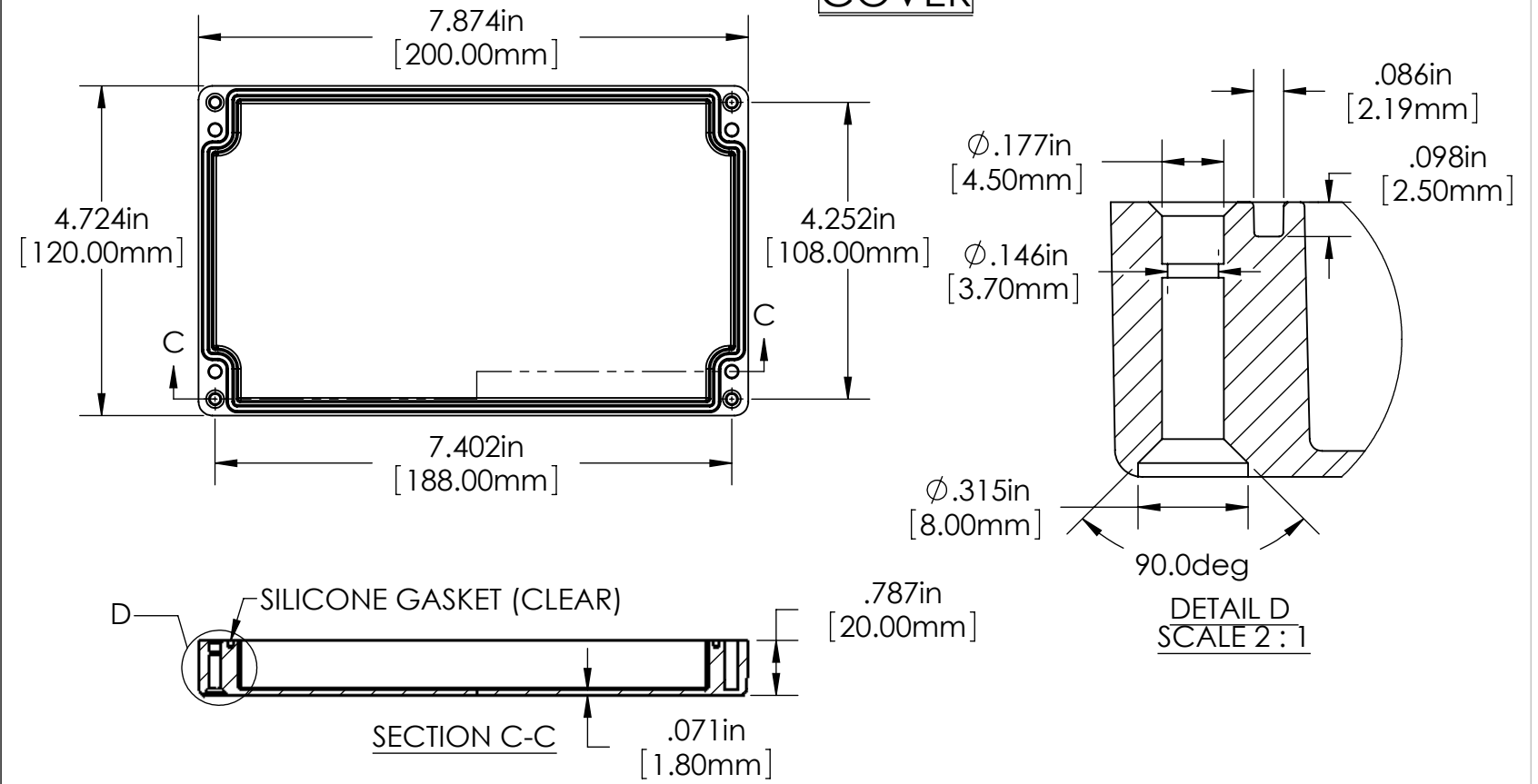
REVISION DATE

8/18/2010

BODY ASSEMBLY

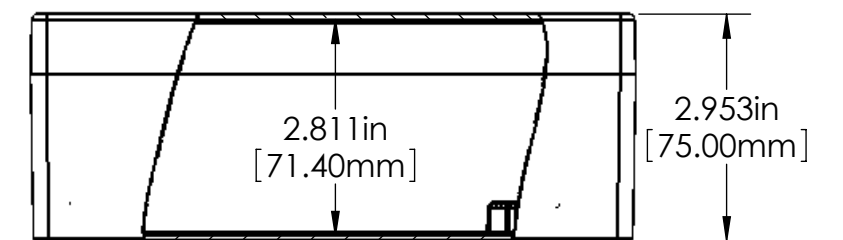
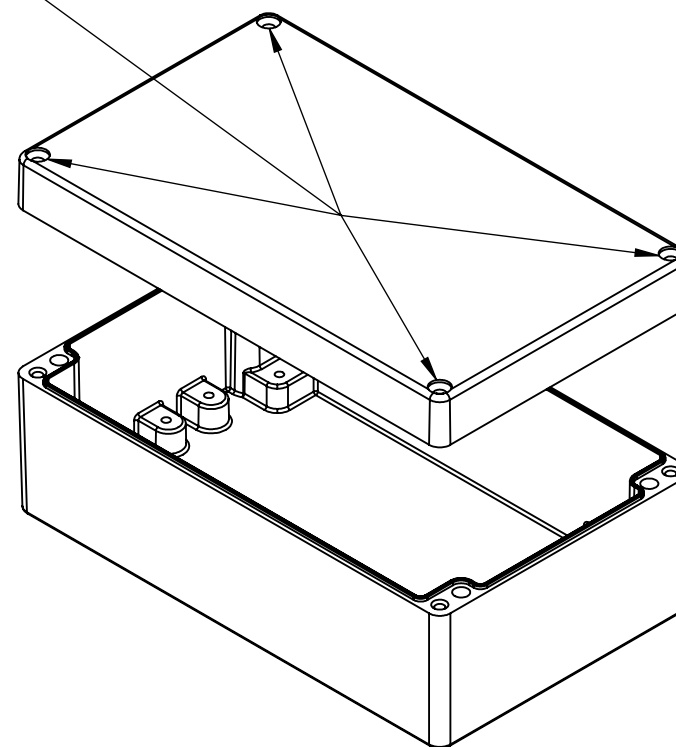


COVER



FOUR (4) M4 x 32mm (1.26") LG. FLAT HD. STAINLESS STEEL SCREWS SUPPLIED FOR ASSEMBLY OF COVER

ASSEMBLY



MATERIAL: ALUMINUM (ADC-12 ALLOY)
 FINISH: NATURAL
 TOLERANCES: ±.015 [±.38]