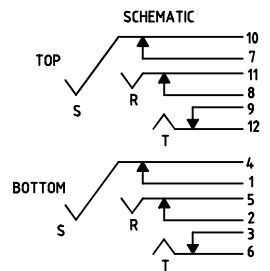
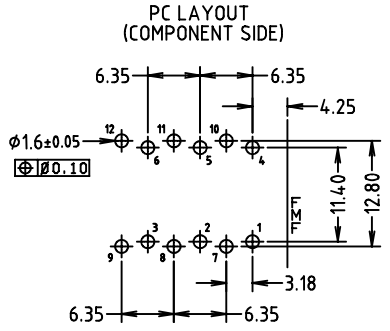
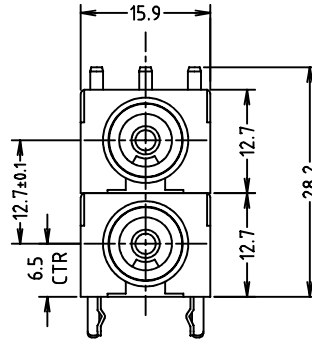
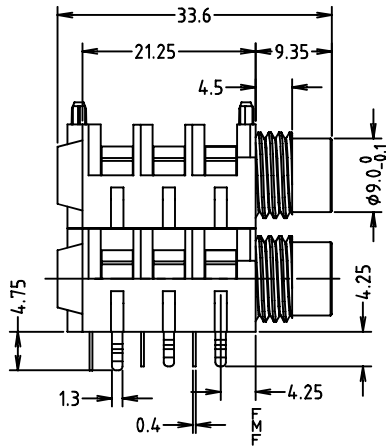


CLIFF

S1C JACK SOCKETS

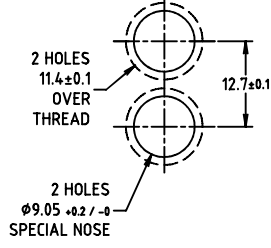
FCR1117 - S1C/S/BBB x2 Special Nose



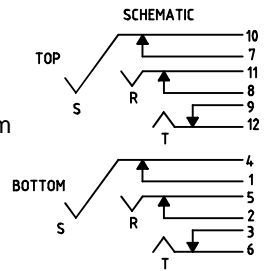
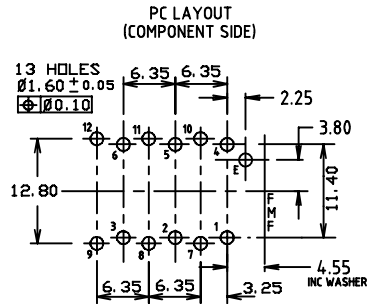
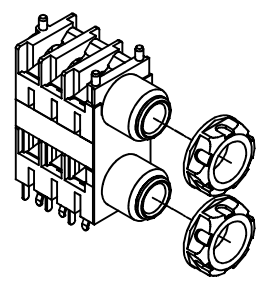
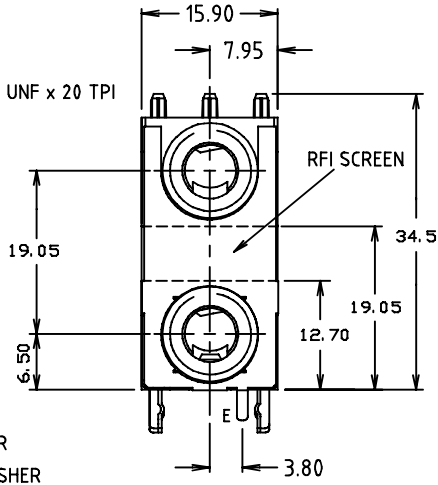
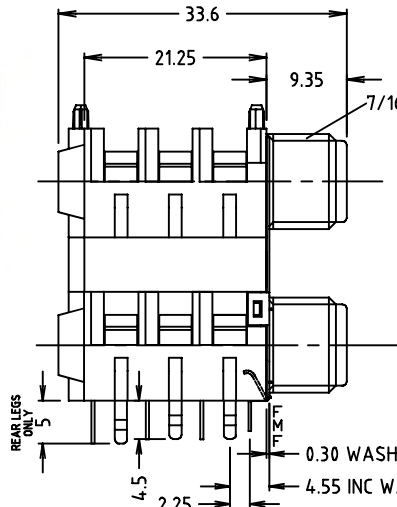
SWITCH CONTACTS OPEN WHEN PLUG IS INSERTED, CLOSE WHEN PLUG IS WITHDRAWN.

Specification:
 Withstand voltage: 2000V DC minimum
 Maximum current: 5 amp
 Temperature rating: -10° C to + 70° C
 Life: 10,000+ operations. < 100mΩ
 Nominal contact resistance: < 50mΩ

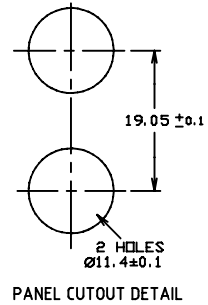
PANEL CUTOUT DETAIL



FCR1124W - S1C/SH/BBB x2 with Earth washer and nuts.



SWITCH CONTACTS OPEN WHEN PLUG IS INSERTED, CLOSE WHEN PLUG IS WITHDRAWN.



Specification:
 Withstand voltage: 2000V DC minimum
 Maximum current: 5 amp
 Temperature rating: -10° C to + 70° C
 Life: 10,000+ operations. < 100mΩ
 Nominal contact resistance: < 50mΩ

For further information, contact sales@cliffuk.co.uk