

DRAWING NUMBER:

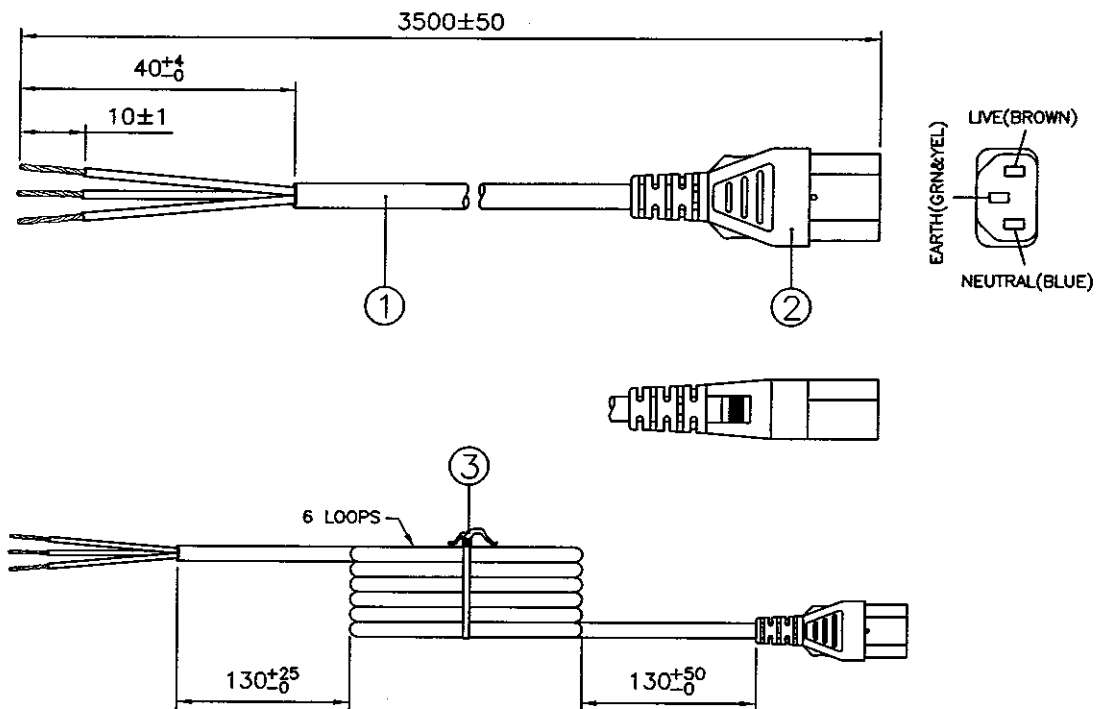
HG02-073-05

CABLE CUTTING

CABLE SOURCE :

1. BAO HING(SHENZHEN).
2. TONG YUAN(SHENZHEN).

ASSEMBLY :



Notes :

1. ALL DIMENSIONS IN mm.
2. CONNECTOR MARKING : REFER TO MARKING DRAWING NO. : VC-0002C.
3. CONNECTOR DETAILS : REFER TO PRODUCT DRAWING NO. : C-0087.
4. THIS PART CAN BE MANUFACTURED AT ANY LOCATION WHICH HAS SAFETY APPROVAL.

REV.	ECN REF. NO.	DESCRIPTION	DATE
1	HG02-073-05	INITIAL RELEASE.	17/02/05

FOR ENQUIRY ONLY
 NOT FOR MASS PRODUCTION

APPROVAL BY : _____

DATE : _____

3	8" PE TIE WHT	6310063	1
	IP60G NL83003B RAL7037 GREY	4100254	-
2	MOLDED CONNECTOR V1625 (10A 250V)	V1625	1
1	H05W-F 3X1.00 RAL7037 GREY PVC LEAD FREE	1210555	-

S/N	DESCRIPTION	ITEM NUMBER	QTY
TITLE : EUROPEAN POWER SUPPLY CORD (ROHS FR)		PAGE : 1/1	
CUSTOMER : VPE / FARNELL		HG02-073-05	
CUSTOMER PART NUMBER : X-285651A		REVISION	
F/G CODE : - - -		1	

SALES :	QA :	ENGRG :	CHECKED BY :	DRAWN BY : WANGHUI	Voilex (Asia) Pte Ltd <small>Confidential property of Voilex. Information contained herein shall not be disclosed to others, reproduced or used for any other purposes except as authorized in writing by an authorized official of voilex asia.</small>
DATE :	DATE :	DATE : 18/2/05	DATE : 18/2/05	DATE : 17/02/05	