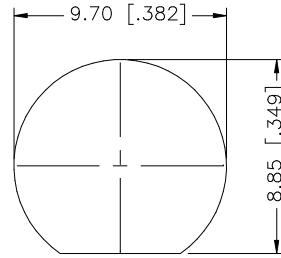
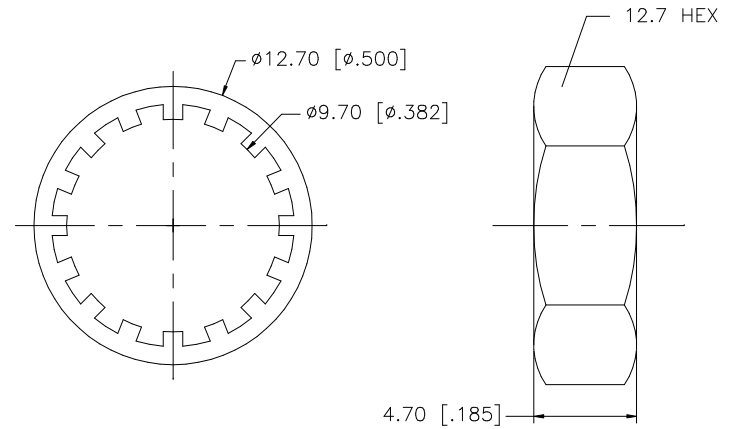
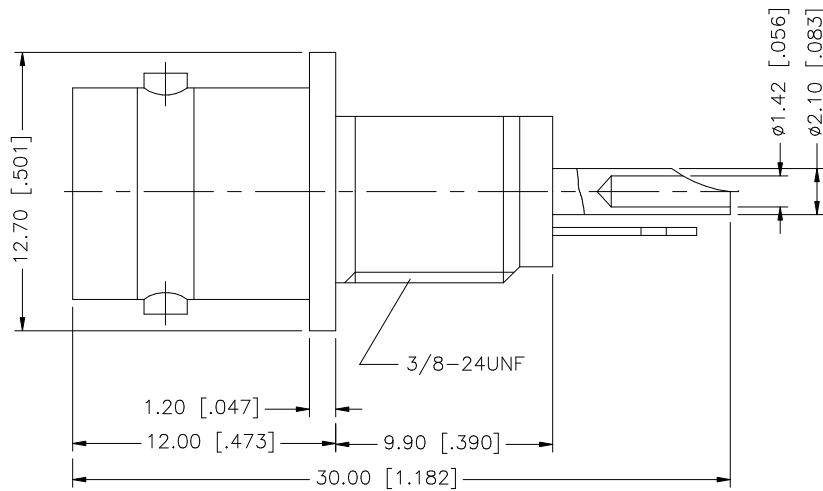


REV.	DATE	DESCRIPTION
A	11/19/03	UPDATE DRAWING FORMAT



RECOMMENDED MOUNTING HOLE



NOTE:

1. MAX. PANEL THICKNESS = 3.2mm
2. RECOMMENDED TORQUE: A MAXIMUM 12 INCH-LBS MAY BE APPLIED ON HEX NUT WHEN MOUNTING CONNECTOR IN PANEL

NO.	DESCRIPTION	MATERIAL	FINISH	QTY	APPROVALS	DATE	PART DESCRIPTION						
8							Amphenol Connex						
7													
6							BNC BULKHEAD RECEPTACLE ISOLATED JACK - 50ohm						
5	HEX NUT	BRASS	NICKEL	1	DRAWN	G.R.S.					11/19/03		
4	LOCK WASHER	BRASS	NICKEL	1	CHECKED			PART NO. 112431					
3	CONTACT PIN	PHOS. BRONZE	GOLD	1	ISSUED								
2	INSULATOR	TEFLON	NATURAL	1	SHEET	1 OF 1		DWG. NO. 112431.DWG					
1	BODY	BRASS	NICKEL	1									
					CAD FILE		C:/112/112431.DWG	REV.	A	SIZE	A	SCALE	NA

UNLESS OTHERWISE SPECIFIED DIMENSIONS ARE IN MILLIMETERS. DIMENSIONS IN [] ARE IN INCHES AND FOR CUSTOMER REFERENCE ONLY.

UNLESS OTHERWISE SPECIFIED TOLERANCES FOR MILLIMETERS ARE:
0.5 - 8mm ± 0.20mm
8 - 30mm ± 0.40mm
30 - 120mm ± 0.50mm

UNLESS OTHERWISE SPECIFIED TOLERANCES FOR INCHES ARE:
.020 - .315 = ± 0.007"
.315 - 1.180 = ± 0.015"
1.180 - 4.724 = ± 0.020"

DO NOT SCALE DRAWING