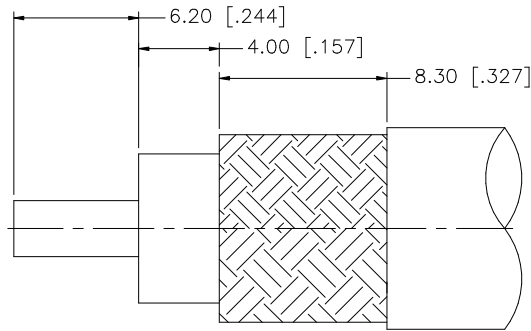
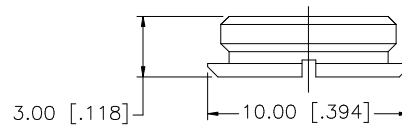
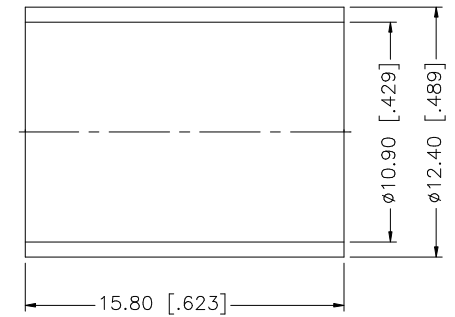
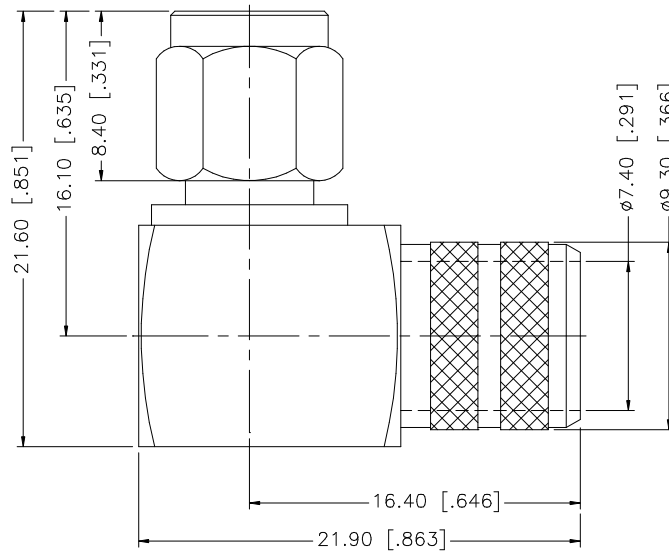


REV.	DATE	DESCRIPTION
NC	02/27/01	INITIAL RELEASE
A	03/12/07	UPDATE DRAWING FORMAT



RECOMMENDED  
CABLE STRIPPING DIM'S



UNLESS OTHERWISE SPECIFIED DIMENSIONS ARE IN MILLIMETERS. DIMENSIONS IN [ ] ARE IN INCHES AND FOR CUSTOMER REFERENCE ONLY.

UNLESS OTHERWISE SPECIFIED TOLERANCES FOR MILLIMETERS ARE:  
0.5 - 8mm ± 0.20mm  
8 - 30mm ± 0.40mm  
30 - 120mm ± 0.50mm

UNLESS OTHERWISE SPECIFIED TOLERANCES FOR INCHES ARE:  
.020 - .315 = ± 0.007"  
.315 - 1.180 = ± 0.015"  
1.180 - 4.724 = ± 0.020"

DO NOT SCALE DRAWING

APPROVALS

DATE

DRAWN G.R.S.

03/12/07

CHECKED

ISSUED

SHEET

1 OF 1

CAD FILE

C:/132/132299.DWG

# Amphenol Connex

PART DESCRIPTION

SMA R/A CRIMP PLUG  
(FOR BELDEN 9913, 9914, TIME U/R-400 CABLE)

PART NO.

132299

DWG. NO.

132299.DWG

REV. A

SIZE A

SCALE NA

DESCRIPTION	MATERIAL	FINISH	QTY
8			
7			
6			
5	FERRULE	COPPER	GOLD 1
4	COVER	BRASS	GOLD 1
3	CONTACT PIN	BRASS	GOLD 1
2	INSULATOR	TEFLON	NATURAL 1
1	BODY	BRASS	GOLD 1