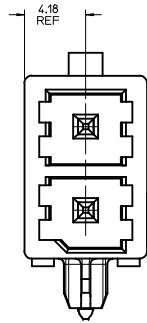


| CKT | SIZE | PART NO. | PLATING | DIM A | DIM B | DIM C |
|-----|------|-------------|---------|-------|-------|-------|
| 2 | x | 76825-0002 | TIN | 8.35 | N/A | 9.35 |
| 4 | x | 76825-0004 | TIN | 12.05 | N/A | 13.05 |
| 6 | x | 76825-0006 | TIN | 17.75 | 11.40 | 18.75 |
| 8 | x | 76825-0008 | TIN | 23.45 | 17.10 | 24.45 |
| 10 | x | 76825-0010 | TIN | 29.15 | 22.80 | 30.15 |
| 12 | x | 76825-0012 | TIN | 34.85 | 28.50 | 35.45 |
| 2 | | 172064-0002 | 15 GOLD | 8.35 | N/A | 9.35 |
| 4 | | 172064-0004 | 15 GOLD | 12.05 | N/A | 13.05 |
| 6 | | 172064-0006 | 15 GOLD | 17.75 | 11.40 | 18.75 |
| 8 | | 172064-0008 | 15 GOLD | 23.45 | 17.10 | 24.45 |
| 10 | | 172064-0010 | 15 GOLD | 29.15 | 22.80 | 30.15 |
| 12 | | 172064-0012 | 15 GOLD | 34.85 | 28.50 | 35.45 |
| 2 | | 172064-1002 | 30 GOLD | 8.35 | N/A | 9.35 |
| 4 | | 172064-1004 | 30 GOLD | 12.05 | N/A | 13.05 |
| 6 | | 172064-1006 | 30 GOLD | 17.75 | 11.40 | 18.75 |
| 8 | | 172064-1008 | 30 GOLD | 23.45 | 17.10 | 24.45 |
| 10 | | 172064-1010 | 30 GOLD | 29.15 | 22.80 | 30.15 |
| 12 | | 172064-1012 | 30 GOLD | 34.85 | 28.50 | 35.45 |

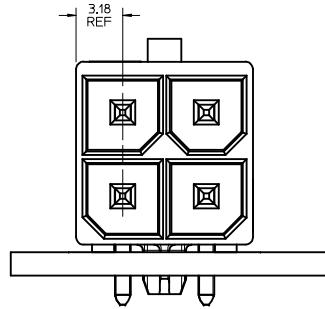
X = NOT RELEASED

- NOTES:
- MATERIAL:
HOUSING LCP, UL94V-0, BLACK.
TERMINAL: HIGH CONDUCTIVITY COPPER.
 - TERMINAL PLATING:
(TIN) 1.52 MICROMETER MIN (60 MICROINCH MIN) REFLOWED MATTE TIN OVER
1.27 MICROMETER MIN (50 MICROINCH MIN) MIN NICKEL OVERALL.
(15 GOLD) 0.38 MICROMETER MIN (15 MICROINCH MIN) SELECTIVE GOLD ON CONTACT AREA WITH 2.54 MICROMETER MIN (100 MICROINCHES MIN) SELECTIVE TIN ON SOLDER AREA BOTH OVER 1.27 MICROMETER MIN (50 MICROINCHES MIN) NICKEL OVERALL.
(30 GOLD) 0.76 MICROMETER MIN (30 MICROINCH MIN) SELECTIVE GOLD ON CONTACT AREA WITH 2.54 MICROMETER MIN (100 MICROINCHES MIN) SELECTIVE TIN ON SOLDER AREA BOTH OVER 1.27 MICROMETER MIN (50 MICROINCHES MIN) NICKEL OVERALL.
 - PRODUCT SPECIFICATION PS-76823-100.
 - PACKAGING: TRAY PACKED PER MOLEX SPECIFICATION PK-76825-0000.
 - PART MATES WITH MOLEX PART NUMBER 170001 AND 171692 SERIES.
 - APPLICATION SPECIFICATION: AS-76823-100
 - PARTS CONFORM TO CLASS 'B' REQUIREMENTS OF COSMETIC SPECIFICATION PS-45499-002.
- ⚠️ TO AVOID INTERFERENCE BETWEEN RECEPTACLE AND PCB, HEADER MUST BE PLACED WITHIN 20.6 MAX FROM EDGE OF PCB AS SHOWN.

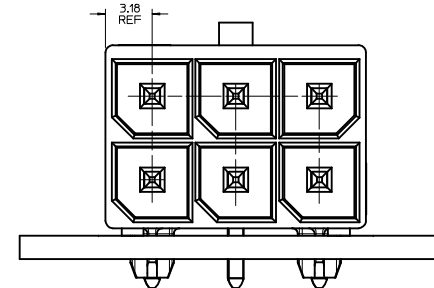
| | | | | | | |
|--|--|---------------------------------------|------------------------|--------------|---|------------------------|
| ADD NOTE 8 EC NO: UCP2014-5278 DRAWN: DFOX 2014/06/17 CHKD: BELL 2014/06/17 APPROVED: SMITH 2014/06/23 REV DESCRIPTION | QUALITY SYMBOLS | GENERAL TOLERANCES (UNLESS SPECIFIED) | DIMENSION STYLE | SCALE | DESIGN UNITS | THIRD ANGLE PROJECTION |
| | ▽=0 | mm INCH | MM ONLY | 4:1 | METRIC | ☉ |
| | ▽=0 | 4 PLACES ±.05 | DRAWN BY DATE | | | |
| | ▽=0 | 3 PLACES ±.025 | MKARADI MAS 2010/11/15 | | | |
| | 2 PLACES ±.025 | CHECKED BY DATE | | | | |
| | 1 PLACE ±.025 | APPROVED BY DATE | | | | |
| | 0 PLACE ±.025 | APATEL 2012/06/13 | | | | |
| | ANGULAR ±1/2° | MATERIAL NO. | SEE CHART | DOCUMENT NO. | MEGA-FIT R/A HEADER ASSY 2-12 CKT | |
| | DRAFT WHERE APPLICABLE MUST REMAIN WITHIN DIMENSIONS | SD-76825-0100 | | | molex | |
| | | | | | SHEET NO. 1 OF 2 | |
| | | | | | THIS DRAWING CONTAINS INFORMATION THAT IS PROPRIETARY TO MOLEX INCORPORATED AND SHOULD NOT BE USED WITHOUT WRITTEN PERMISSION | |



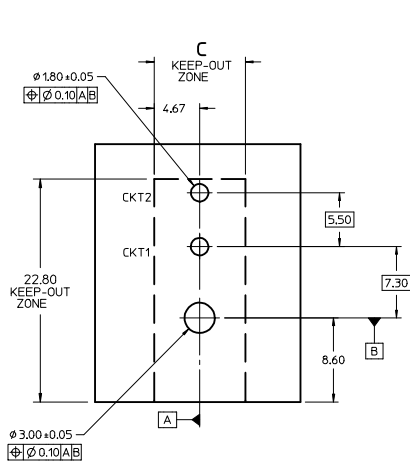
2 CIRCUIT



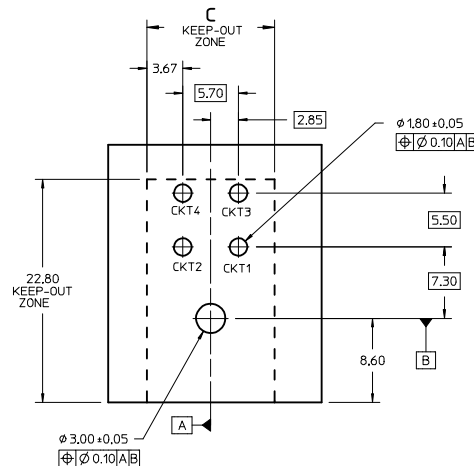
4 CIRCUIT



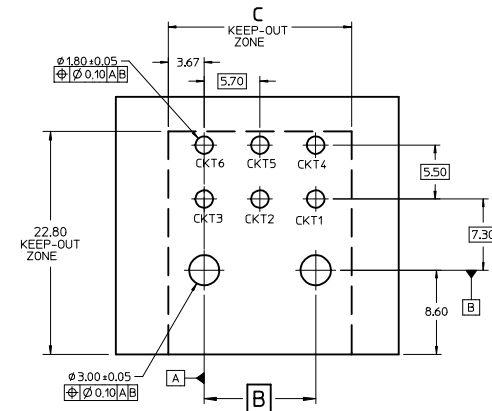
6-12 CIRCUIT



PCB LAYOUT: COMPONENT SIDE
RECOMMENDED PCB THICKNESS: 1.58 MM/.062 IN
TO 2.36 MM/.093 IN



PCB LAYOUT: COMPONENT SIDE
RECOMMENDED PCB THICKNESS: 1.58 MM/.062 IN
TO 2.36 MM/.093 IN



PCB LAYOUT: COMPONENT SIDE
RECOMMENDED PCB THICKNESS: 1.58 MM/.062 IN
TO 2.36 MM/.093 IN

| SEE SHT 1 ELEC NO: UICP2014-5278 DRAWN: JFOX 2014/06/17 CHECKED: BEL 2014/06/17 APPROVED: SMITH 2014/06/23 D5 | QUALITY SYMBOLS ▽=0 ▽=0 ▽=0 | GENERAL TOLERANCES (UNLESS SPECIFIED) <table border="1"> <tr> <th></th> <th>mm</th> <th>INCH</th> </tr> <tr> <td>4 PLACES</td> <td>±---</td> <td>±---</td> </tr> <tr> <td>3 PLACES</td> <td>±---</td> <td>±---</td> </tr> <tr> <td>2 PLACES</td> <td>±0.25</td> <td>±---</td> </tr> <tr> <td>1 PLACE</td> <td>±---</td> <td>±---</td> </tr> <tr> <td>0 PLACE</td> <td>±</td> <td>±</td> </tr> </table> | | mm | INCH | 4 PLACES | ±--- | ±--- | 3 PLACES | ±--- | ±--- | 2 PLACES | ±0.25 | ±--- | 1 PLACE | ±--- | ±--- | 0 PLACE | ± | ± | DIMENSION STYLE MM ONLY | SCALE 4:1 | DESIGN UNITS METRIC | THIRD ANGLE PROJECTION |
|---|--------------------------------------|---|---|--------------------------------------|----------------------------|----------|------|------|----------|------|------|----------|-------|------|---------|------|------|---------|---|---|-----------------------------------|---------------------|-------------------------------|------------------------|
| | | mm | INCH | | | | | | | | | | | | | | | | | | | | | |
| | 4 PLACES | ±--- | ±--- | | | | | | | | | | | | | | | | | | | | | |
| | 3 PLACES | ±--- | ±--- | | | | | | | | | | | | | | | | | | | | | |
| 2 PLACES | ±0.25 | ±--- | | | | | | | | | | | | | | | | | | | | | | |
| 1 PLACE | ±--- | ±--- | | | | | | | | | | | | | | | | | | | | | | |
| 0 PLACE | ± | ± | | | | | | | | | | | | | | | | | | | | | | |
| MATERIAL NO. SEE CHART | DRAWN BY MKARADIMAS | DATE 2010/11/15 | TITLE MEGA-FIT R/A HEADER ASSY 2-12 CKT | DOCUMENT NO. SD-76825-0100 | SHEET NO. 2 OF 2 | | | | | | | | | | | | | | | | | | | |
| DRAFT WHERE APPLICABLE MUST REMAIN WITHIN DIMENSIONS | ANGLAR ±1/2° | THIS DRAWING CONTAINS INFORMATION THAT IS PROPRIETARY TO MOLEX INCORPORATED AND SHOULD NOT BE USED WITHOUT WRITTEN PERMISSION | | | | | | | | | | | | | | | | | | | | | | |
| | | | | | | | | | | | | | | | | | | | | | | | | |