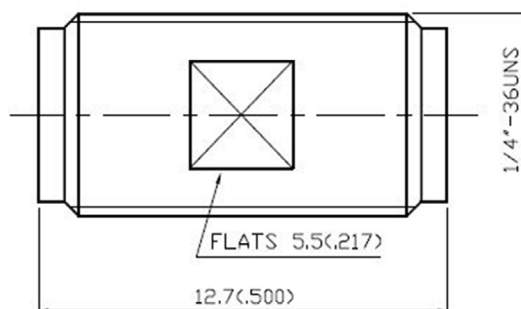


HF Adapters and Terminators



Adapter SMA to SMA, Female / Female, straight, 50 Ω



SPECIFICATION:

Housing Material	Brass/Gold-plated
Connection A	SMA
Connection B	SMA
Frequency	18 GHz
Impedance	50 Ω
Insulation material	Teflon
Gender	Female / Female
Connector Design	straight
Contacts	Beryllium Copper/gold-plated

PRODUCT RANGE:

Art. Nr.

RND 205-00500