

# B.259 | Knurled grip knobs

Duroplast



## MATERIAL

Phenolic based (PF) Duroplast.

## COLOUR

- B.259: black, glossy finish.
- B.259-CLEAN: white similar to RAL 9002, glossy finish.

## STANDARD EXECUTIONS

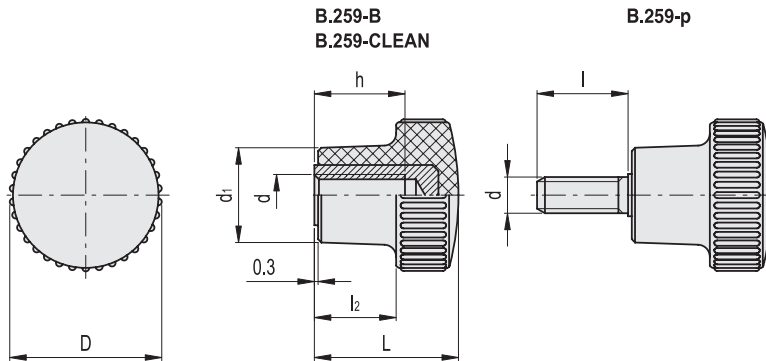
- **B.259-B:** brass boss, threaded blind hole.
- **B.259-p:** zinc-plated steel threaded stud, chamfered flat end according to UNI 947 : ISO 4753 (see Technical data on page A-10).
- **B.259-CLEAN:** AISI 303 stainless steel boss, threaded blind hole.

## FEATURES AND APPLICATIONS (B.259-CLEAN)

B.259-CLEAN knob, thanks to its white colour and glossy finish, is particularly suitable for applications on medical and hospital equipment and on food processing machines whose parts, for hygienic reasons, must be frequently cleaned. Its solid shape without cavities prevents unhealthy residues from depositing.



ELESA Original design



### B.259-B

Code	Description	D	d6H	L	d1	l2	h	⚖
3001	B.259/20 B-M5	21	M5	25	13	12	16	12
3002	B.259/20 B-M6	21	M6	25	13	12	16	11
3111	B.259/25 B-M6	26	M6	28	16	15	16	18
3112	B.259/25 B-M8	26	M8	28	16	15	20	19
3201	B.259/30 B-M6	31	M6	32	19	17	16	25
3202	B.259/30 B-M8	31	M8	32	19	17	20	28
3203	B.259/30 B-M10	31	M10	32	19	17	17	29

### B.259-p

Code	Description	D	d6g	L	d1	l	l2	⚖
3011	B.259/20 p-M6x16	21	M6	25	13	16	12	13
3121	B.259/25 p-M8x20	26	M8	28	16	20	15	25
3211	B.259/30 p-M8x25	31	M8	32	19	25	17	38

### B.259-CLEAN



Code	Description	D	d6H	L	d1	l2	h	⚖
151102	B.259/20-SST-M6 CLEAN	21	M6	25	13	12	12	11
151112	B.259/25-SST-M8 CLEAN	26	M8	28	16	15	13	19
151123	B.259/30-SST-M10 CLEAN	31	M10	32	19	17	17	29

