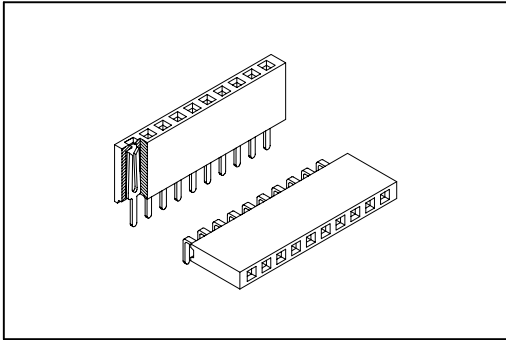


<b>Order code</b>	<b>Manufacturer code</b>	<b>Description</b>
22-5111	n/a	16 WAY STRAIGHT SINGLE ROW SOCKET (RC)

	Page 1 of 2
The enclosed information is believed to be correct, Information may change without notice due to product improvement. Users should ensure that the product is suitable for their use. E. & O. E.	Revision A 20/02/2007

# 2044 Series

## P.C.B. Socket 2.54mm(0.100")



### Material:

Housing: 30% Glass Filled PBT UL94V-0.

Contacts: Phosphor Bronze.

### Electrical Characteristics:

Current Rating: 2 A.

Dielectric Withstanding Voltage: AC 1000V.

Insulator Resistance: 1000MΩ min.

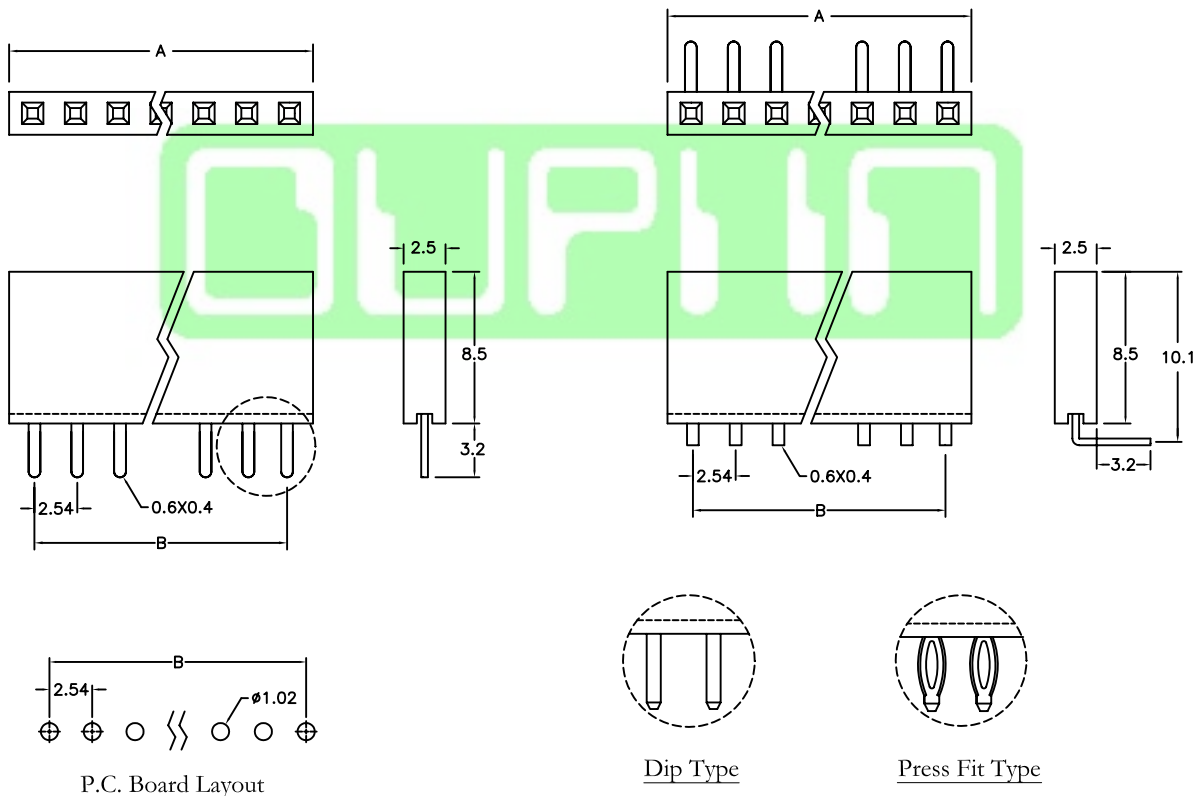
Contact Resistance: 20mΩ max.

Operating Temperature: -55°C~+105°C.

### Features:

- \* Available in Straight , Right Angle & Press Fit.
- \* High profile 8.50mm (0.335").
- \* Mates with 0.64mm (0.025") square pin.
- \* Turning fork contacts offer lower cost for competitive market.

Mates with: 2011,2012,2015.



Position	2 Thru 40
Dimension	
A	2.54 X No. of Positions +0.4
B	2.54 X No. of Positions -2.54

## Ordering information

**2044-** Series    **1** Single Row    **X** No. of Pin Per Row    **40**    **G** G: Gold Plated    T: Tin Plated    **00** 00: G/F    **S** S: Straight    R: Right Angle    **P** Blank: Dip Type    P: Press Fit Type    **A** A: Tray Package    B: Bulk Package