

## KNOBS

Order code	Manufacturer code	Description
32-1200	P300-OA6F	TRICOLOUR KNOB WITH RED INSERT
32-1202	P300-OB6F	TRICOLOUR KNOB GREEN INSERT
32-1204	P300-OC6F	TRICOLOUR KNOB YELLOW INSERT
32-1206	P300-OD6F	TRICOLOUR KNOB BLUE INSERT
32-1208	P300-OG6F	TRICOLOUR KNOB GREY INSERT

KNOBS	Page 1 of 2
The enclosed information is believed to be correct, Information may change 'without notice' due to product improvement. Users should ensure that the product is suitable for their use. E. & O. E.	Revision A 04/07/2003

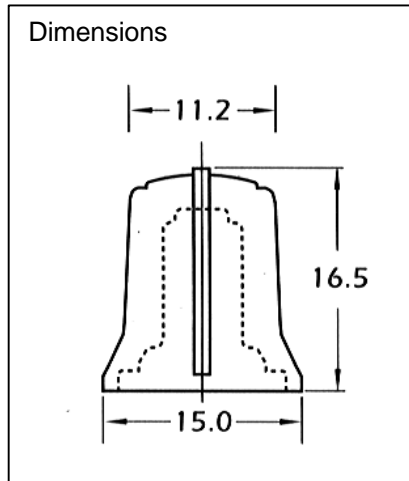
## 15mm Three Colour Mixer Knobs

### Re-an – P300 Series Push –Fit Control Knobs

The P300 Three colour knob features a hard plastic push fit body. The design enhances equipment aesthetics and incorporates a raised solid marker line giving clear positional indication.

#### Specifications

Material: ABS to UL No. 94



Re-an Ref No.	Product Style	Material	Colours			Fitting
			Body	Line	Cap/Skirt	
P300-H-1/9/3-R6	P300	Hard - Thermoplastic	Black	White	Red	Ø 6mm
P300-H-1/9/6-R6	P300	Hard - Thermoplastic	Black	White	Green	Ø 6mm
P300-H-1/9/5-R6	P300	Hard - Thermoplastic	Black	White	Yellow	Ø 6mm
P300-H-1/9/7-R6	P300	Hard - Thermoplastic	Black	White	Blue	Ø 6mm
P300-H-1/9/8-R6	P300	Hard - Thermoplastic	Black	White	Grey	Ø 6mm