

PCB TERMINAL BLOCKS

PCB
TERMINAL
BLOCKS

INTER-
CONNECTION

FUSES &
FUSE-
HOLDERS

LEDs &
INDICATORS

MINIATURE
SWITCHES

LIMIT &
SAFETY
SWITCHES

CONTROL
PRODUCTS

INTERFACE
MODULES &
SUPPORTS

RELAY
BASES


DIN RAIL
ENCLOSURES

BATTERIES

SOLAR
PANELS

TRANS-
FORMERS

7.5mm & 7.62mm Pitch Pluggable Rising Clamp Terminal Blocks

- 2-12 pole solid block
- Pluggable male-female connectors
- Open & closed headers
- Horizontal female plug style
- Polarised mouldings
- Moulded in green UL94-V0 flame retardant PA
- Professional rising clamp terminals
- 0.2-2.5mm² (30-12AWG) solid & stranded cable
- Anti solder wicking
- Captive screws
- Guided pin alignment
-  approved

SPECIFICATION

Rating	20A/500V
	UL=12A/300V, VDE&IMQ=20A/500V
Dielectric strength	≥3kV
Impulse withstand voltage	6kV
Working temperature	110°C
Moulding	UL94-V0 flame retardant PA
Pin/terminal	Copper alloy, NI & SN
Rising clamp	Copper alloy, NI & SN
Screw/torque	M3 steel zinc plated, 0.5Nm
Recommended PCB hole size	ø1.4mm

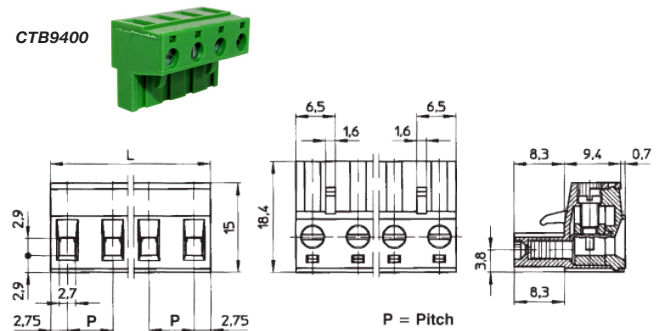
7.5mm

TYPE NO.	POLES	LENGTH
CTB9400/2	2	13mm
CTB9400/3	3	20.5mm
CTB9400/4	4	28mm
CTB9400/5	5	35.5mm
CTB9400/6	6	43mm
CTB9400/7	7	50.5mm
CTB9400/8	8	58mm
CTB9400/9	9	65.5mm
CTB9400/10	10	73mm
CTB9400/11	11	80.5mm
CTB9400/12	12	88mm

7.62mm

TYPE NO.	POLES	LENGTH
CTB9408/2	2	13.2mm
CTB9408/3	3	20.9mm
CTB9408/4	4	28.5mm
CTB9408/5	5	36.1mm
CTB9408/6	6	43.7mm
CTB9408/7	7	51.3mm
CTB9408/8	8	59mm
CTB9408/9	9	66.6mm
CTB9408/10	10	74.2mm
CTB9408/11	11	81.8mm
CTB9408/12	12	89.4mm

CTB9400



PCB mounting male vertical (closed ended)

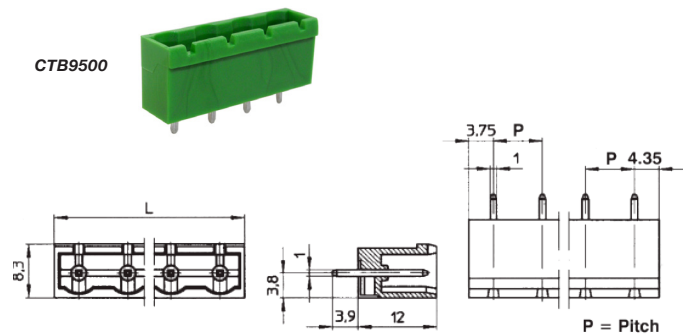
7.5mm

TYPE NO.	POLES	LENGTH
CTB9500/2	2	15mm
CTB9500/3	3	22.5mm
CTB9500/4	4	30mm
CTB9500/5	5	37.5mm
CTB9500/6	6	45mm
CTB9500/7	7	52.5mm
CTB9500/8	8	60mm
CTB9500/9	9	67.5mm
CTB9500/10	10	75mm
CTB9500/11	11	82.5mm
CTB9500/12	12	90mm

7.62mm

TYPE NO.	POLES	LENGTH
CTB9508/2	2	15.2mm
CTB9508/3	3	22.8mm
CTB9508/4	4	30.4mm
CTB9508/5	5	38.1mm
CTB9508/6	6	45.7mm
CTB9508/7	7	53.3mm
CTB9508/8	8	60.9mm
CTB9508/9	9	68.6mm
CTB9508/10	10	76.2mm
CTB9508/11	11	83.8mm
CTB9508/12	12	91.4mm

CTB9500



PCB mounting male horizontal (closed ended)

7.5mm

TYPE NO.	POLES	LENGTH
CTB9550/2	2	15mm
CTB9550/3	3	22.5mm
CTB9550/4	4	30mm
CTB9550/5	5	37.5mm
CTB9550/6	6	45mm
CTB9550/7	7	52.5mm
CTB9550/8	8	60mm
CTB9550/9	9	67.5mm
CTB9550/10	10	75mm
CTB9550/11	11	82.5mm
CTB9550/12	12	90mm

7.62mm

TYPE NO.	POLES	LENGTH
CTB9558/2	2	15.2mm
CTB9558/3	3	22.8mm
CTB9558/4	4	30.4mm
CTB9558/5	5	38.1mm
CTB9558/6	6	45.7mm
CTB9558/7	7	53.3mm
CTB9558/8	8	60.2mm
CTB9558/9	9	68.5mm
CTB9558/10	10	76.2mm
CTB9558/11	11	83.8mm
CTB9558/12	12	91.4mm

CTB9550

