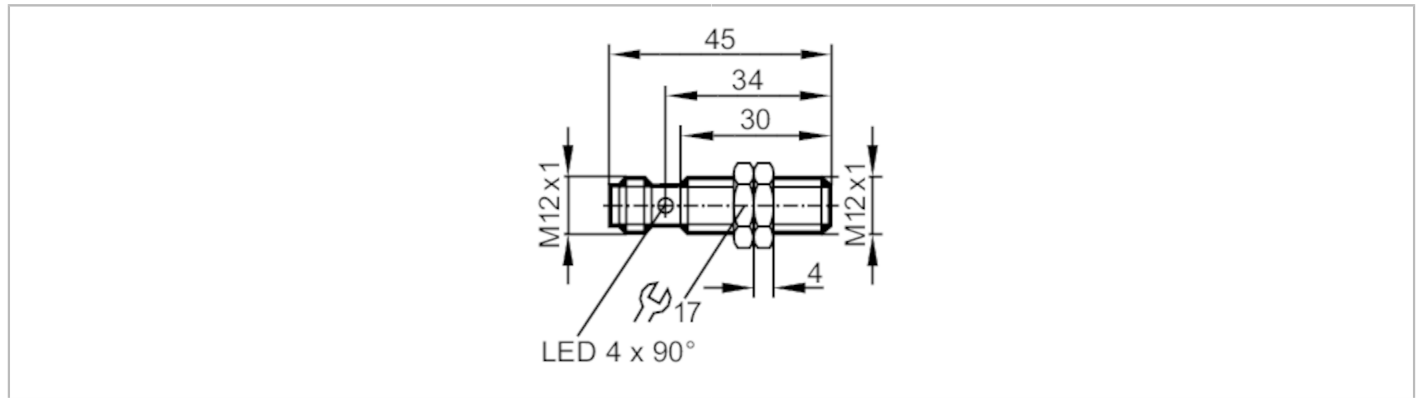


# IF5997



## Inductive sensor

IFB3004BANKG/US-104



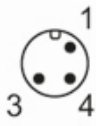
Product characteristics	
Electrical design	NPN
Output function	normally open
Sensing range [mm]	4
Housing	threaded type
Dimensions [mm]	M12 x 1 / L = 45
Application	
Special feature	Gold-plated contacts; Increased sensing range
Electrical data	
Operating voltage [V]	10...30 DC
Current consumption [mA]	< 10
Protection class	II
Reverse polarity protection	yes
Outputs	
Electrical design	NPN
Output function	normally open
Max. voltage drop switching output DC [V]	2.5
Permanent current rating of switching output DC [mA]	200
Switching frequency DC [Hz]	500
Short-circuit protection	yes
Overload protection	yes
Detection zone	
Sensing range [mm]	4
Real sensing range Sr [mm]	4 ± 10 %
Operating distance [mm]	0...3.24
Increased sensing range	yes
Accuracy / deviations	
Correction factor	steel: 1 / stainless steel: 0.7 / brass: 0.5 / aluminium: 0.4 / copper: 0.3
Hysteresis [% of Sr]	3...15
Switch point drift [% of Sr]	-10...10

# IF5997



## Inductive sensor

IFB3004BANKG/US-104

Operating conditions		
Ambient temperature	[°C]	-25...70
Protection		IP 67
Tests / approvals		
EMC		EN 60947-5-2
		EN 55011
		class B
MTTF	[years]	2531
Mechanical data		
Weight	[g]	24.3
Housing		threaded type
Mounting		flush mountable
Dimensions	[mm]	M12 x 1 / L = 45
Thread designation		M12 x 1
Materials		brass white bronze coated; sensing face: PBT orange; LED window: PEI; lock nuts: brass white bronze coated
Displays / operating elements		
Display		switching status
		4 x LED, yellow
Accessories		
Accessories (supplied)		lock nuts: 2
Remarks		
Pack quantity		1 pcs.
Electrical connection - plug		
Connector: 1 x M12; Contacts: gold-plated		
		

# IF5997

## Inductive sensor

IFB3004BANKG/US-104



### Connection

