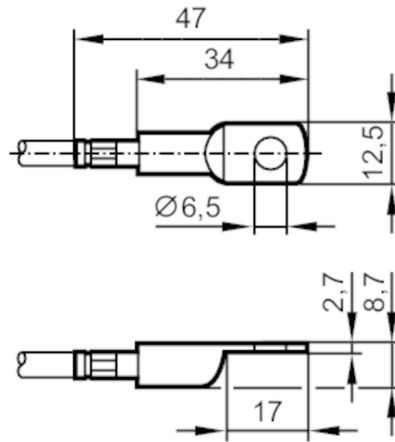


# TS2239



## Temperature cable sensor with bolt-on sensor

TS-200-KL /US



**EAC**

Product characteristics		
Measuring range	-40...90 °C	-13...194 °F
Process connection	bolt-on sensor 12,5 x 8,7 x 47 mm	
Application		
Measuring element	1 x Pt 100; (to DIN EN 60751, class A)	
Installation	surface mount RTD for solid bodies	
Electrical data		
Insulation rating [V]	500	
Protection class	III	
Measuring/setting range		
Measuring range	-40...90 °C	-13...194 °F
Accuracy / deviations		
Accuracy [K]	± (0,15 K + 0,002 x  t )	
Response times		
Dynamic response T05 / T09 [s]	12 / 39; (values for a flat aluminium surface (anodised) using a conductive heat paste; reference values for moving water : 10 / 24 (< 0,1 m/s))	
Operating conditions		
Protection	IP 67	
Tests / approvals		
MTTF [years]	12683.9	
Mechanical data		
Weight [g]	101.4	
Housing	bolt-on sensor	
Materials	stainless steel (1.4303 / 305 / 308); copper nickel-plated	
Process connection	bolt-on sensor 12,5 x 8,7 x 47 mm	
Remarks		
Pack quantity	1 pcs.	

# TS2239



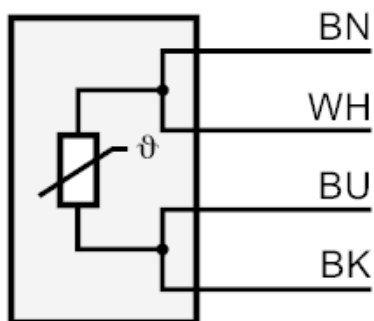
## Temperature cable sensor with bolt-on sensor

TS-200-KL /US

### Electrical connection

Cable: 2 m, PUR,  $\varnothing$  4.9 mm; with wire end ferrules; 4 x 0.34 mm<sup>2</sup> (42 x  $\varnothing$  0.1 mm )

### Connection



Core colours :

BK = black  
BN = brown  
BU = blue  
WH = white