

MSUD VALVE PLUG FORM BI 11MM

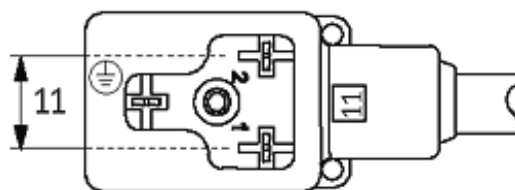
PVC 3X0.75 black 1.5m

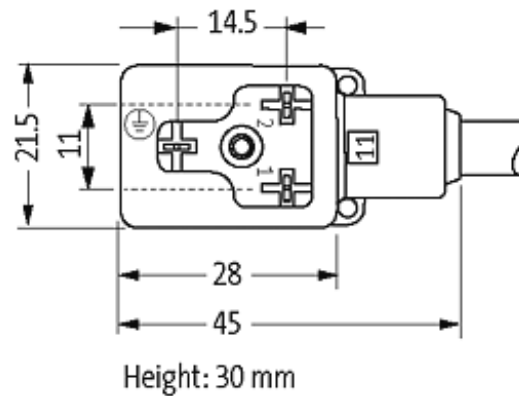
Form BI (11 mm) industrial standard
24 V AC/DC with LED and suppression
180°, PE opposite cable outlet

Further cable lengths on request. Plastic housings with good resistance against chemicals and oils. The resistance to aggressive media should be individually tested for your application. Further details on request.

[Link to Product](#)

Illustration





Product may differ from Image

Approvals



Form

11081

Technical Data

| | |
|-------------------------------|--|
| Operating voltage | 24 V AC/DC $\pm 25\%$ |
| Operating current per contact | max. 4 A |
| Switch off peak | max. 55 V |
| Switch off delay time | max. 20 ms |
| Locking of ports | M3 (recommended torque 0.4 Nm) |
| Protection | IP67 inserted and tightened (EN 60529) |
| Housing | Black plastic (gray on request) |

Cables

| | |
|-----------------------------|---------------------------------|
| Cable number | 616 |
| No./diameter of wires | 3 \times 0.75 mm ² |
| Wire isolation | PVC (bk, num, gnye) |
| Jacket Color | black |
| Shore hardness outer jacket | 80 \pm 5A |
| Material (jacket) | PVC |
| Outer diameter | approx. 5.9 mm |
| Bend radius (fixed) | 5 \times outer \varnothing |
| Bend radius (moving) | 10 \times outer \varnothing |
| Temperature range (fixed) | -30...+70 °C |
| Temperature range (mobile) | -5...+70 °C |

General data

| | |
|-------------------|--|
| Temperature range | -25...+85 °C, depending on cable quality |
|-------------------|--|

Commercial data

The information in this brochure has been compiled with the utmost care.

Liability for the correctness completeness and topicality of the information is restricted to gross negligence. Version: 05/15

| | |
|------------------------|----------|
| country of origin | CZ |
| customs tariff number | 85444290 |
| minimum order quantity | 1 |