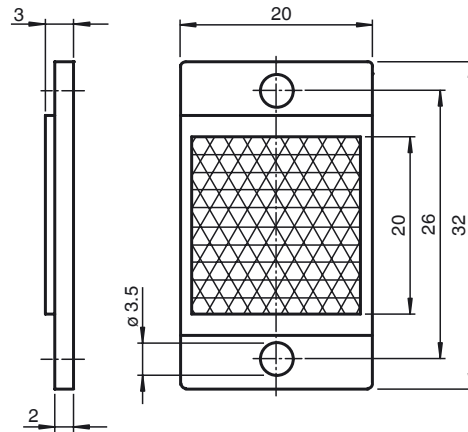


## Dimensions



### Model Number

**REF-MH20**

Reflector with Micro-structure, rectangular 32 mm x 20 mm, mounting holes

### Features

- Mounting holes for simple installation
- Micro-structure

## Technical data

### General specifications

Construction type	rectangular
Tripel height	approx. 1.2 mm

### Ambient conditions

Ambient temperature	-20 ... 85 °C (-4 ... 185 °F)
---------------------	-------------------------------

### Mechanical specifications

Material	PMMA/ABS
Dimensions	32 mm x 20 mm x 3 mm
Mounting	mounting holes