



Model Number

IQC21-50F-T10

Data carrier

Features

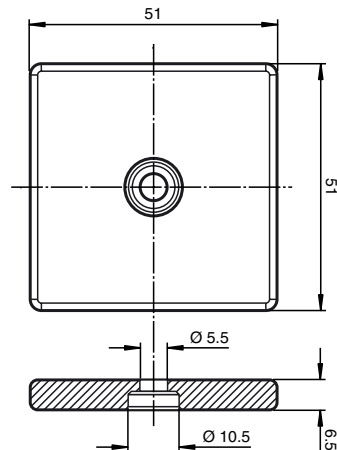
- With extended temperature range up to 220 °C (428 °F)
- Operating frequency 13.56 MHz
- Conforms to ISO 15693
- 896 bits memory available
- Readable and writable from both sides
- Degree of protection IP68
- Mounting holes for simple installation

Accessories

ICZ-MH30-25-T10

Spacers for code/data carrier

Dimensions



Technical data

General specifications

Operating frequency	13.56 MHz
Transfer rate	26 kBit/s

Memory

Chip Type	I-CODE SLI (NXP)
Type/Size	EEPROM 896 Bit ROM 64 Bit

Read cycles	unlimited
Write cycles	> 100000
Data retention period	10 years at 55 °C (131 °F)

Ambient conditions

Ambient temperature	-40 ... 85 °C (-40 ... 185 °F)
Storage temperature	-40 ... 220 °C (-40 ... 428 °F)
Climatic conditions	100 % non-condensing

Mechanical specifications

Degree of protection	IP68/NEMA 6P/12
Material	
Housing	PPS
Mass	25.7 g

Compliance with standards and directives

Directive conformity	
R&TTE Directive 1995/5/EC	EN 300330-2:2010 V1.5.1
Standard conformity	
Electromagnetic compatibility	EN 300330-1:2010 V1.7.1 EN 300330-2:2010 V1.5.1
Degree of protection	EN 60529:2000
RFID	ISO/IEC 15693-1:2010 , ISO/IEC 15693-2:2006 , ISO/IEC 15693-3:2009 , ISO/IEC 18000-3

Notes

The transponder can be read and written from either side.

Notes

High temperatures will cause the enclosure to stretch.

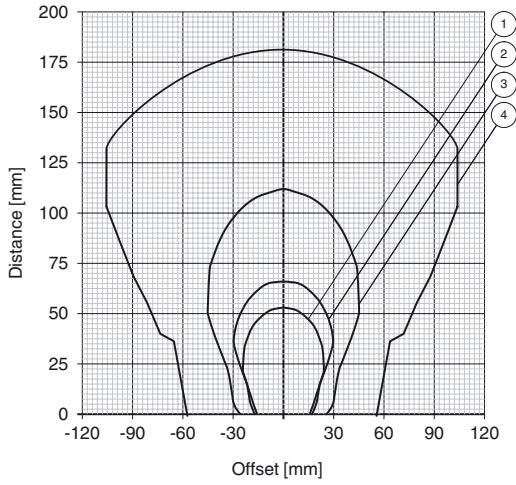
If the enclosure is assembled under mechanical stress, the resulting pressure may damage the data carrier.

Install the enclosure loosely to allow for expansion.

Read/write distances

- ① IQH1-18GM-V1 ② IQH1-F61-V1 ③ IQH1-FP-V1
- ④ IQH1-F15-V1

Reading range in air IQC21-50F-T10



Release date: 2014-12-11 14:00 Date of issue: 2014-12-11 197962_eng.xml