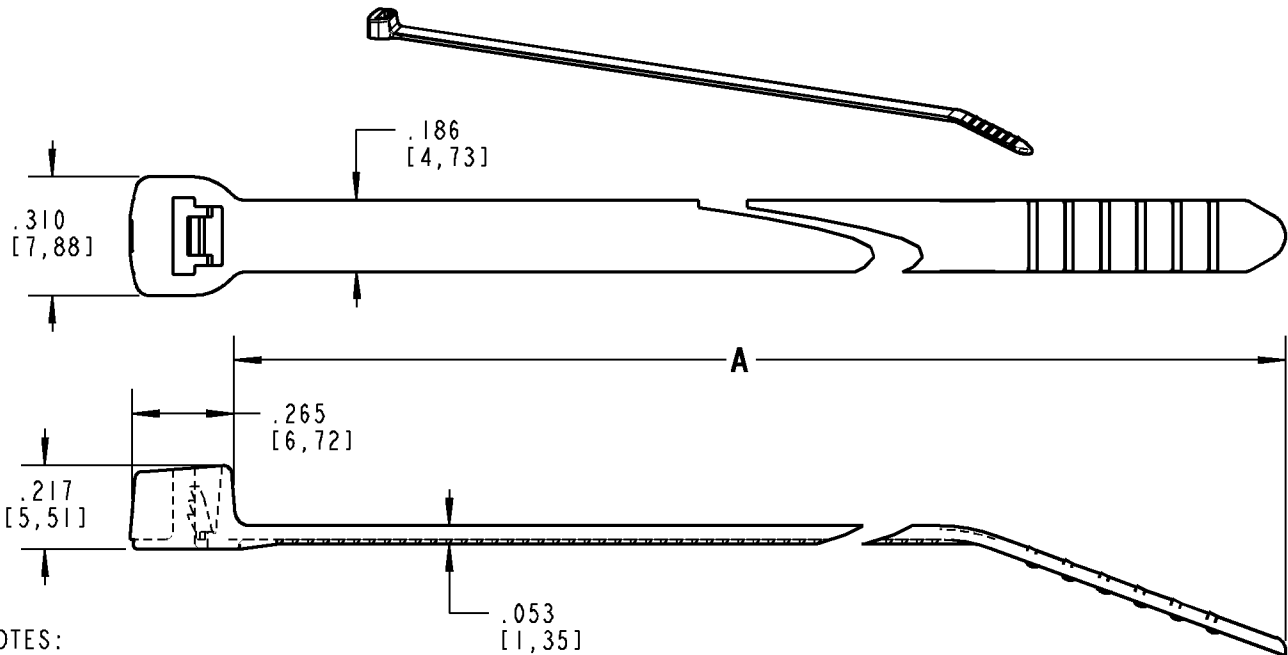




# Catamount®

**NOTES:**

1. MATERIAL: NYLON 6,6
2. FLAMMABILITY: UL94V-2
3. OPERATING TEMPERATURE RANGE: -40°F [-40°C] TO 185°F [85°C]
4. MINIMUM TENSILE RATING: 50 LBS [222 N]
5. MINIMUM WIRE BUNDLE: .0625 [1,59]
6. MAXIMUM WIRE BUNDLE: SEE TABLE
7. INSTALLATION TOOL/SETTING: WT199/6-8 (MS90387-1) OR ERG299/6-8

CATALOG NUMBER	MAXIMUM WIRE BUNDLE	A
L-5-50-***	1.0 [25,4]	5.235 [132,97]
L-7-50-***	1.750 [44,45]	7.435 [188,85]
L-7-50FL-***	1.750 [44,45]	7.435 [188,85]
L-11-50-***	3.000 [76,2]	11.640 [295,66]
L-11-50FL-***	3.000 [76,2]	11.640 [295,66]
L-14-50-***	4.000 [101,6]	14.655 [372,24]

\* = COLOR CODE - 0= BLACK (OUTDOOR)    4= YELLOW    8= GRAY    17= FLUORESCENT YELLOW  
 1= BROWN    5= GREEN    9= NATURAL    18= FLUORESCENT GREEN  
 2= RED    6= BLUE    11= FLUORESCENT PINK    20= FLUORESCENT BLUE  
 3= ORANGE    7= PURPLE    16= FLUORESCENT ORANGE

\*\* = PACKAGING - C= STD PKG (100)    D= BULK PKG (500)    M= BULK PKG (1,000)

CONSULT CUSTOMER SERVICE FOR PACKAGE QUANTITY AVAILABILITY

**FLUORESCENT COLORS NOT "UR" OR "CE" RECOGNIZED OR LISTED**

<b>GENERAL NOTES</b>		<b>Thomas &amp; Betts</b> www.tnb.com			
1. ALL DIMENSIONS ARE FOR REFERENCE ONLY. 2. DIMENSIONS IN BRACKETS [ ] ARE IN METRIC UNITS.					
<b>REVISIONS</b>		<b>DESCRIPTION: 5", 7", 11" &amp; 14" SERIES 50 STANDARD CABLE TIES</b>			
- SEE ERN (****) FOR APPROVAL SIGNATURES & RELEASE DATE. PROJECT NO: ****		ORIGINAL PROJECT NO / (ERN NO)	SHEET NO:	REV. NO:	DRAWING NO:
		FMM01182 / (2006127)	1 OF 1	-	WSD-000222