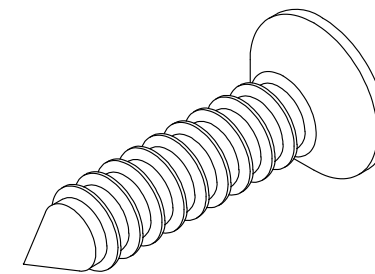
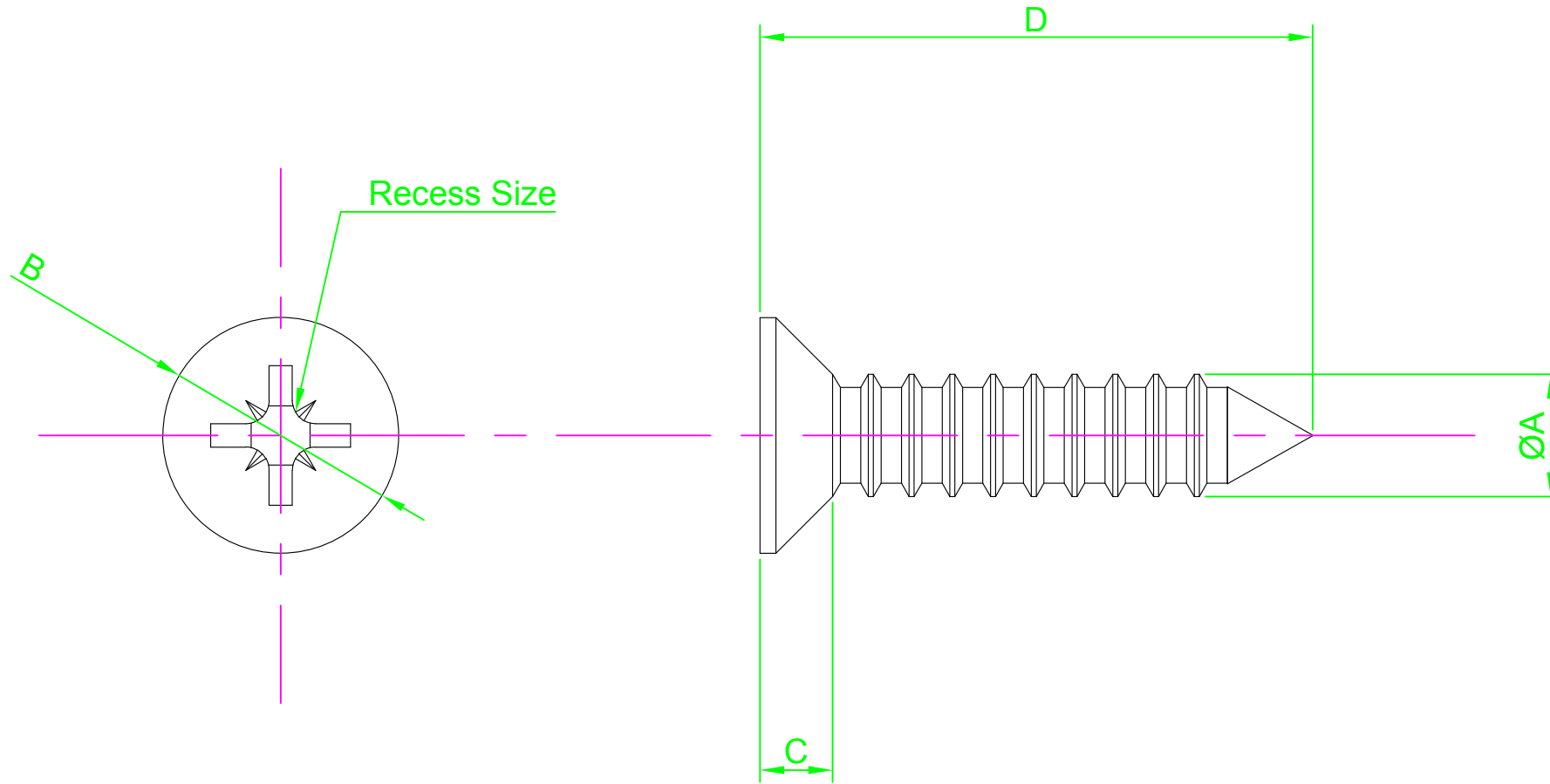


DO NOT SCALE DRAWING

REVISION

A INITIAL DRAWING 28.9.15



Part Number	ØA	B Nom	C Nom	D Length	Recess Size
N4 0.250 KRSTAB Z100	2.9	5.5	1.7	6.5	Pozi #1
N4 0.375 KRSTAB Z100				9.5	
N4 0.500 KRSTAB Z100				13	
N6 0.375 KRSTAB Z100	3.5	6.8	2.1	9.5	Pozi #2
N6 0.500 KRSTAB Z100				13	
N6 0.750 KRSTAB Z100				19	
N8 0.500 KRSTAB Z100	4.2	8.1	2.5	13	Pozi #2
N8 1.000 KRSTAB Z100				25	

NOTES:



UNLESS OTHERWISE SPECIFIED:
DIMENSIONS ARE IN MM (Millimeters)
SURFACE FINISH:
TOLERANCES: DIN 7982

MATERIAL:
Steel

TITLE:
Pozi Csk Head Self Tapping Screw
DIN 7982C

	NAME	DATE
DRAWN	Darryl Wilson	28.9.15
CHK'D		
APPVD		

HEAT TREATMENT:

DESIGN RIGHT. TR FASTENINGS LTD, 2003
UNDER NO CIRCUMSTANCES MUST THIS
DRAWING BE COPIED OR DISCLOSED
WITHOUT FIRST OBTAINING WRITTEN
AUTHORITY.

CUSTOMER PART NUMBER:
N/A

FINISH:
TC1D - Commercial Zinc/Clear Trivalent
De-Embrittle

DRAWING NUMBER:
TR32KRSTAB-Z100

A4

PROJECTION

