

Index Plungers · with release lock

22122.0115



Product Description

Index plungers are used for indexing bores.

Material

Body

- Stainless steel 1.4305

Press button

- Thermoplastic POM, red

Locking pin

- Stainless steel 1.4305, nickel-plated

Knob

- Thermoplastic PA 6, black-grey, matt

Assembly

The screw length can be adapted by distance collars for index plungers (EH 22120.).

Operation

Actuate the red press button, and hold it in the pressed position. Only then can the locking pin be drawn in by pulling the knob.

More information

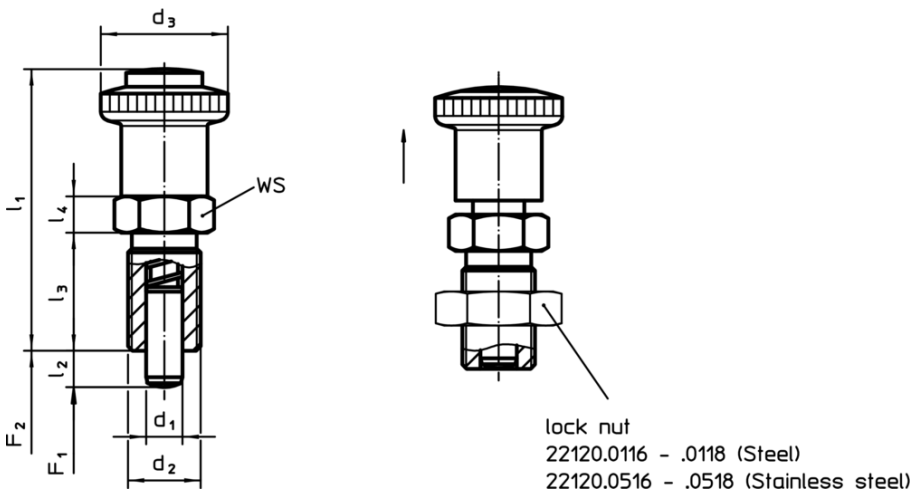
Notes

Knob not removable.
Lock nuts have to be purchased separately.

Further products

- Locating Bushings, for index bolts and index plungers
- Distance Collars, for index plungers
- Mounting Blocks, for index bolts and index plungers

Drawing





Order information

Dimensions							WS	Spring load ¹⁾		Temperature		Weight [g]	Art. No.
d ₁	d ₂	l ₂ min.	d ₃	l ₁ ~	l ₃	l ₄	F ₁ ~	F ₂ ~	min.	max.			
[mm]							[mm]	[N]		[°C]		[g]	
-0.02 -0.04													
stainless steel													
8	M16 x 1,5	8	28	62	26	8	19	8.5	26	-30	80	73	22122.0115

¹⁾ statistical average value

Accessories

	Dimensions d ₂ [mm]	Wrench size [mm]	 [g]	Art. No.
stainless steel				
	M16 x 1,5	24	17.0	22120.0518

Compliance

RoHS compliant

Compliant according to Directive 2011/65/EU and Directive 2015/863

Does not contain SVHC substances

No SVHC substances with more than 0.1% w/w contained - SVHC list [REACH] as of 10.06.2022

Does not contain Proposition 65 substances

No Proposition 65 substances included
<https://www.P65Warnings.ca.gov/>

Free from Conflict Minerals

This product does not contain any substances designated as "conflict minerals" such as tantalum, tin, gold or tungsten from the Democratic Republic of Congo or adjacent countries.