

Nylon cable glands

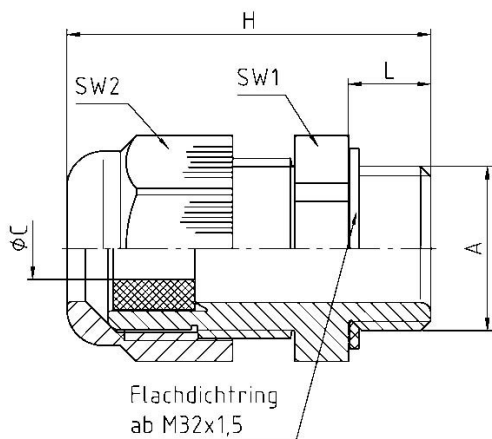
With built-in cable reducing insert

Features & Benefits:-

- Wide sealing and clamping range
- Incorporated 'Top-Hat' reducing sealing ring to cater for small cable diameters.
- Integrated anchorage.
- Easy-to-install.
- Wide Temperature range
- Protection grade IP67 (min)

Specification:-

Dome nut	Polyamide PA6 V-2
Sealing ring (outer)	Polychloroprene-Nitrile rubber CR/NBR
Sealing ring (inner)	Evoprene TPE
Gland body	Polyamide PA6 V-2
Connecting thread	metric as per EN 60423
Temperature range	-20°C / +100°C
Protection Test std	EN 50262 / UL 514B
VDE licence	132752
UL / CSA-File	E140310
SEV licence	01.1135



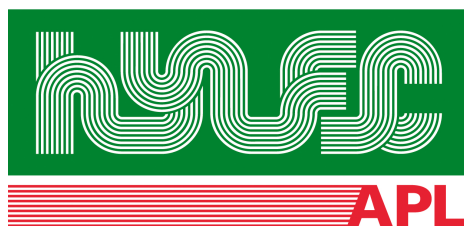
						Part Numbers / colours		
A	Ø C mm	L mm	SW1 mm	SW2 mm	H mm	RAL7001 Silver Grey	RAL7035 Light Grey	RAL9005 Jet Black
M16x1.5	3-10	8	20	20	35.5	50.616 PA/R	50.616 PA/R7035	50.616 PA/RSW
M20x1.5	5-13	8	24	24	36	50.620 PA/R	50.620 PA/R7035	50.620 PA/RSW
M25x1.5	8-17	8	29	29	43	50.625 PA/R	50.625 PA/R7035	50.625 PA/RSW
Flanged Locknuts								
	Thickness mm	Diameter (max) mm						
M16	7	22.5				DLN16G	DLN16G7035	DLN16B
M20	7	26.6				DLN20G	DLN20G7035	DLN20B
M25	8	32.5				DLN25G	DLN25G7035	DLN25B

Tel :-

01933 234400

Fax :-

01933 234411



Web :- www.hylec-apl.com

Email :- sales@hylec-apl.com

Making The Right Connections