

**60**mm sq.

# San Ace 60



## General Specifications

- Material ..... Frame: Plastics (Flammability: UL94V-0),  
Impeller: Plastics (Flammability: UL94V-1)
- Expected Life ..... Refer to specifications (L10:Survival rate:90% at 60°C ,  
rated voltage, and continuously run in a free air state)
- Lead Wire ..... ⊕red ⊖black (Sensor) yellow (Control) brown
- Storage Temperature ..... -30°C to +70°C (Non-condensing)

**60×60×38mm** (Mass : 130g) **9GV type**

**Specifications** The following nos. **have PWM controls, pulse sensors, and ribs.** For ribless, append "1" to the model no.

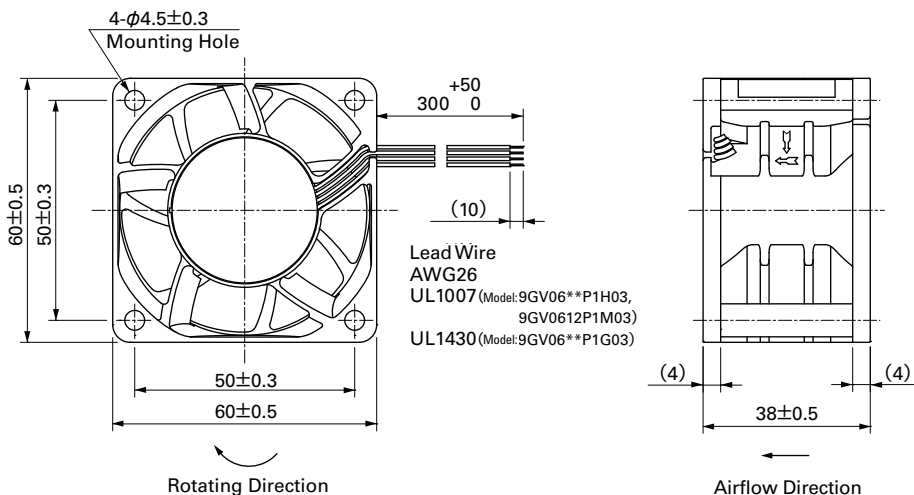
Model No.	Rated Voltage [V]	Operating Voltage Range [V]	PWM duty cycle※ [%]	Rated Current [A]	Rated Input [W]	Rated Speed [min <sup>-1</sup> ]	Max. Airflow [m <sup>3</sup> /min] [CFM]	Max. Static Pressure [Pa] [InchH <sub>2</sub> O]	SPL [dB(A)]	Operating Temperature Range [°C]	Expected Life [h]
9GV0612P1G03	12	8.0 to 13.8	100	2.8	33.6	16,000	2.37 84	751 3.02	66	-20 to +70	40,000/60°C
			0	0.12	1.5	3,100	0.44 15	26 0.10	25		
100			2.0	24.0	14,500	2.15 76	617 2.48	63			
0			0.1	1.2	2,700	0.40 14	21 0.09	22			
9GV0612P1H03		10.8 to 13.8	100	1.5	18.0	13,000	1.93 68	496 1.99	60		
0			0.08	1.0	2,500	0.38 13	18 0.07	19			
9GV0612P1M03	24	20.4 to 27.6	100	0.7	8.4	10,000	1.49 52.6	293 1.17	52		
9GV0612P1L01 <small>(Note)</small>			100	1.4	33.6	16,000	2.37 84	751 3.02	66		
9GV0624P1G03	0		0.12	2.88	6,000	0.89 31	105 0.42	38			
9GV0624P1M03 <small>(Note)</small>	100		0.73	17.52	13,000	1.93 68.0	496 1.99	60			
9GV0648P1H03	48	38 to 57	100	0.5	24	14,500	2.15 76	617 2.48	63		
			0	0.08	3.84	6,000	0.89 31	105 0.42	38		

Note : Fan does not rotate when PWM duty cycle is 0%.

※PWM Frequency : 25kHz

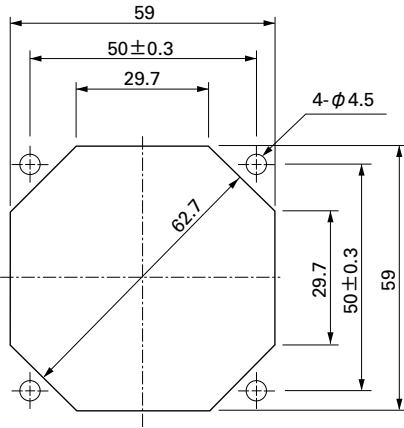
Models without sensors, or with pulse sensors (no PWM control function), or lock sensors are available as options. Please refer to the index (p. 477).

## Dimensions (unit: mm) (With ribs)



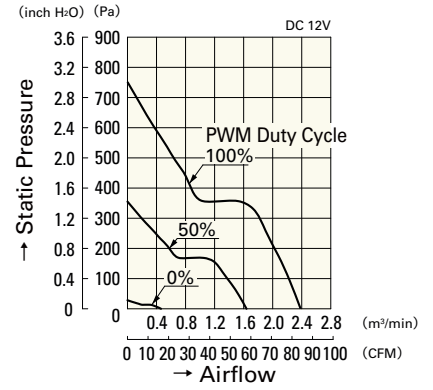
## Reference Dimensions of Mounting Holes and Vent Opening (unit: mm)

Inlet side, Outlet side



## Airflow - Static Pressure Characteristics

### PWM Duty Cycle



**9GV0612P1G03**

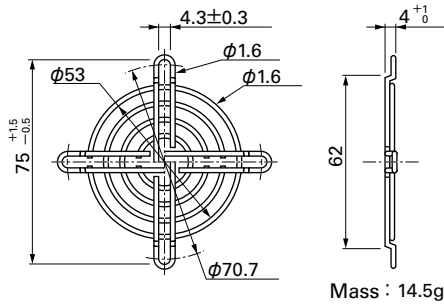
## Options (unit: mm)

### Finger Guards

Model : 109-139E Surface treatment : Nickel-chrome plating (silver)  
 : 109-139H : Cation electropainting (black)

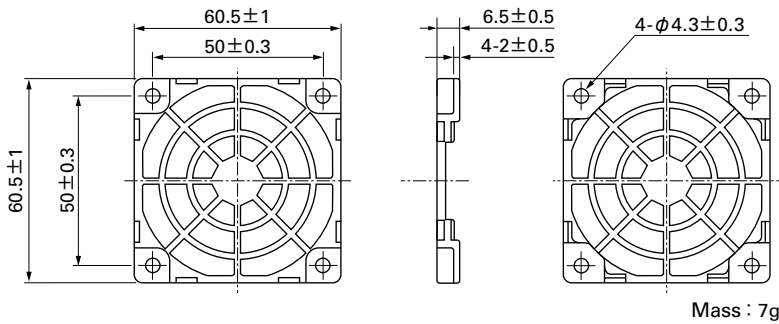
Color

Inlet side, Outlet side



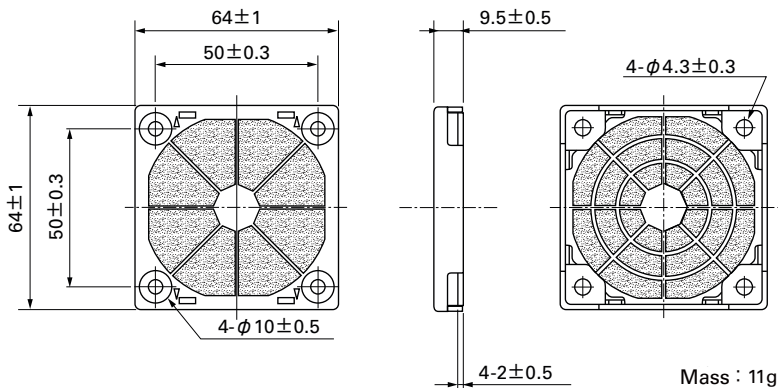
### Resin Finger Guards

Model : 109-1003G

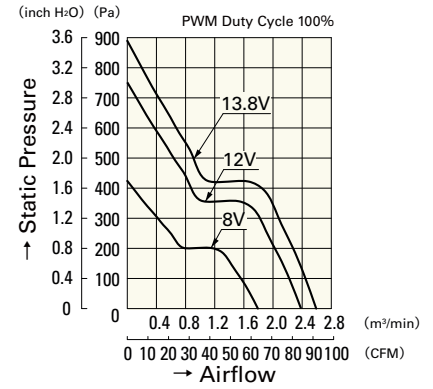


### Resin Filter Kits

Model : 109-1003F13 (13PPI), 109-1003F20 (20PPI)  
 : 109-1003F30 (30PPI), 109-1003F40 (40PPI)

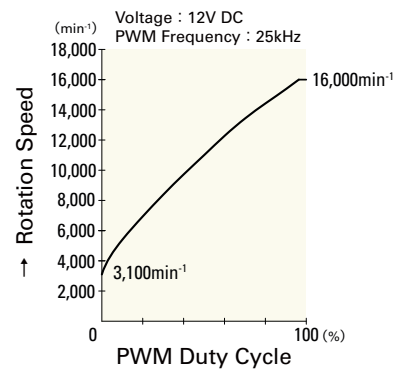


## Operating Voltage Range



**9GV0612P1G03**

## PWM Duty - Speed Characteristics Example



**9GV0612P1G03**

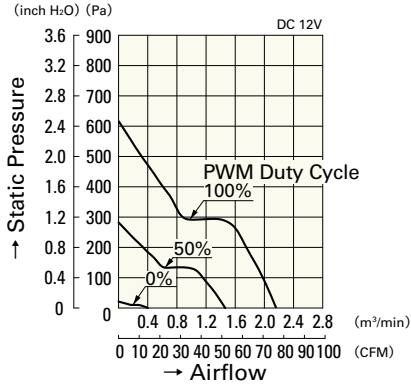
**60**mm sq.

# San Ace 60

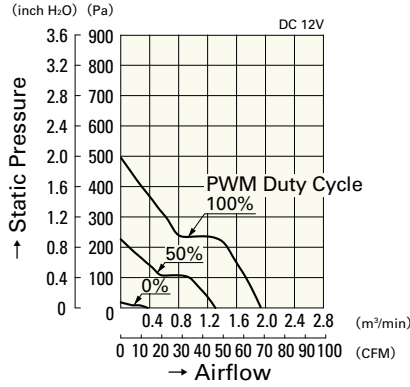
**60×60×38**mm [Mass : 130g]

## Airflow - Static Pressure Characteristics

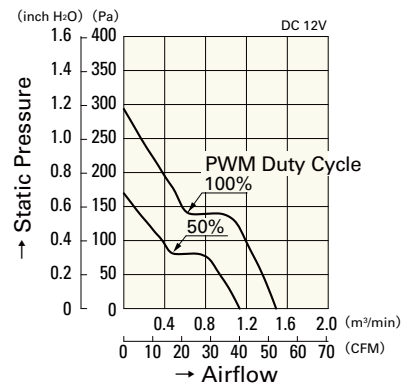
### PWM Duty Cycle



**9GV0612P1H03**

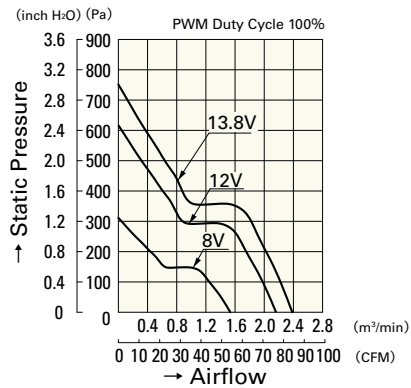


**9GV0612P1M03**

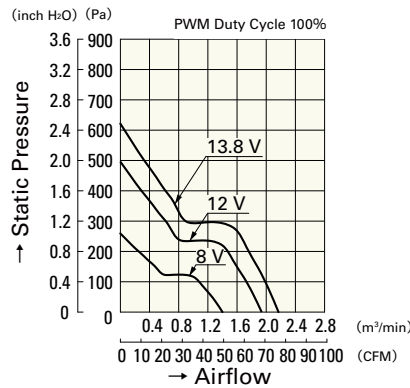


**9GV0612P1L01**

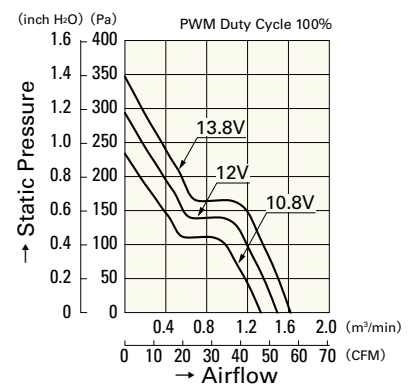
### Operating Voltage Range



**9GV0612P1H03**

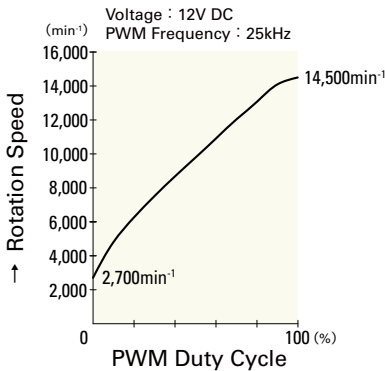


**9GV0612P1M03**

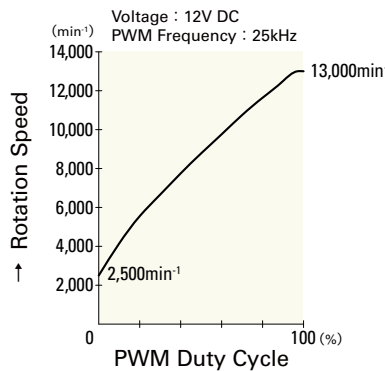


**9GV0612P1L01**

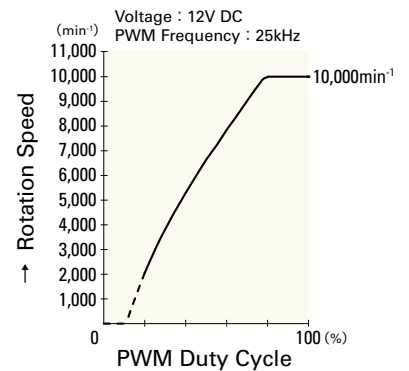
## PWM Duty - Speed Characteristics Example



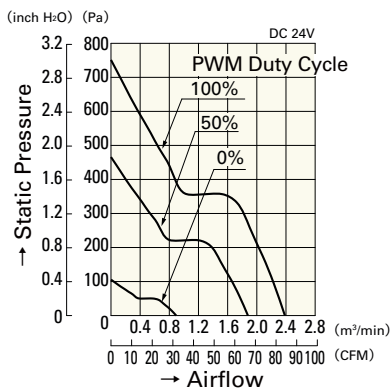
**9GV0612P1H03**



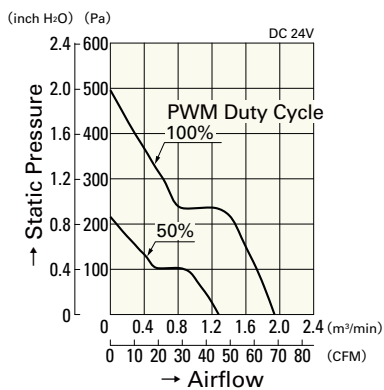
**9GV0612P1M03**



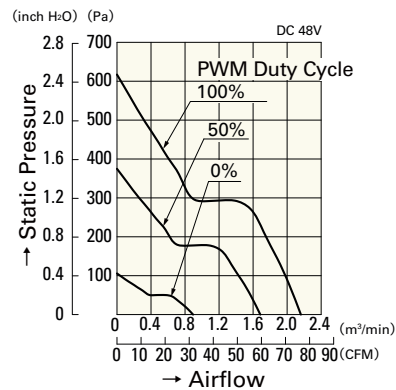
**9GV0612P1L01**



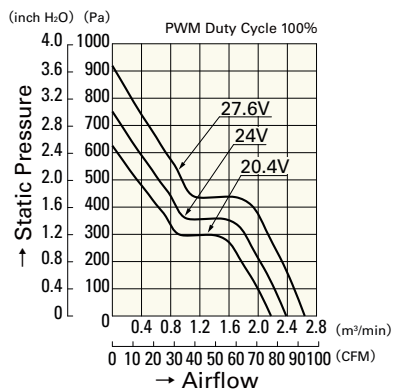
**9GV0624P1G03**



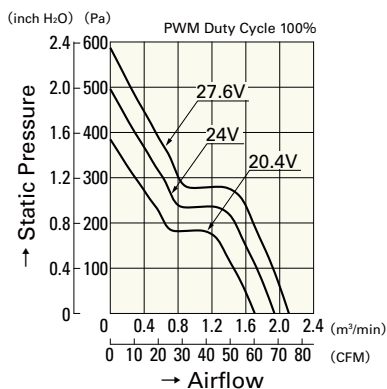
**9GV0624P1M03**



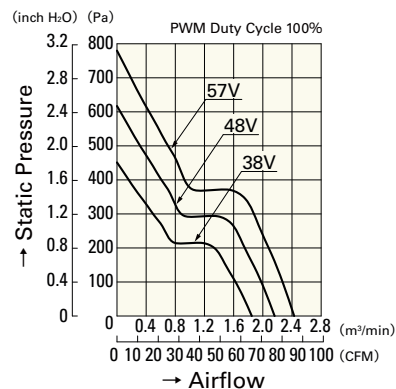
**9GV0648P1H03**



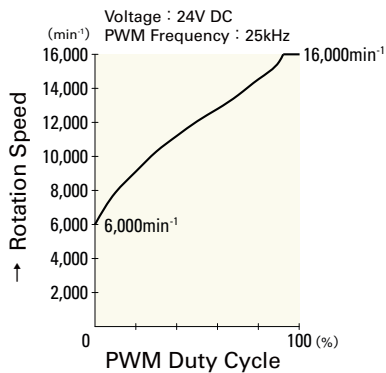
**9GV0624P1G03**



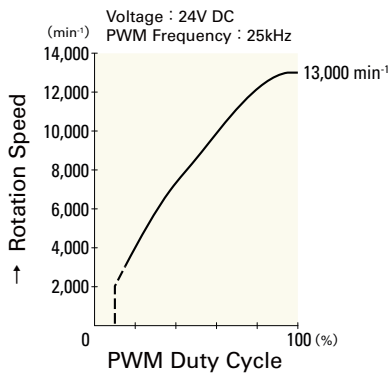
**9GV0624P1M03**



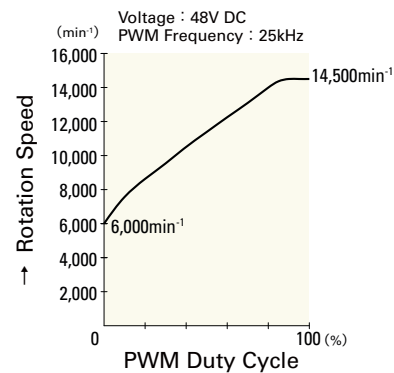
**9GV0648P1H03**



**9GV0624P1G03**



**9GV0624P1M03**



**9GV0648P1H03**