

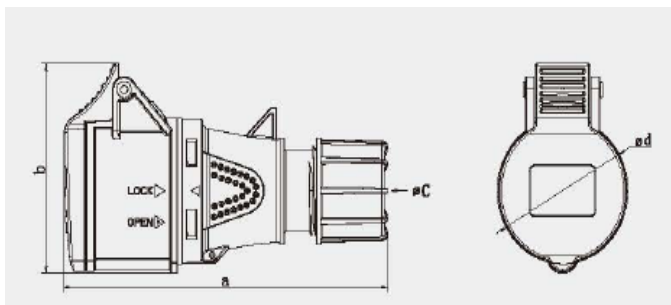
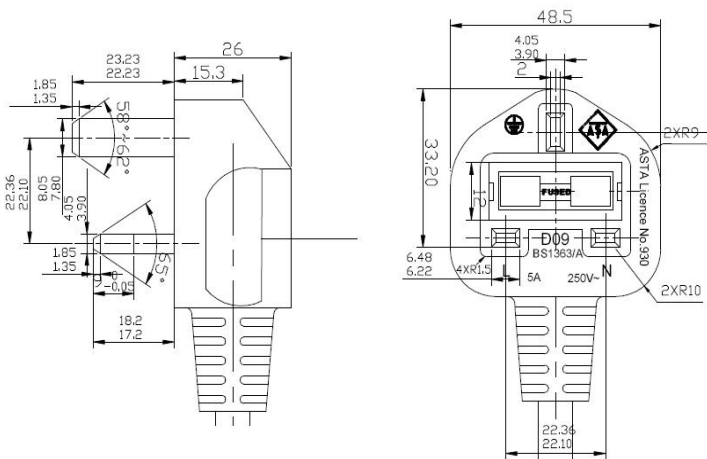
Product Datasheet

# IS1053RQW

16A, 240V SOCKET TO 13A PLUG



**Dimension:**



a	135
b	77
c	15.5
d	51
Cable size(mm <sup>2</sup> )	1~2.5

**Specification:**

Plug 1: UK Moulded Plug White

Cord: 0,35mts HO5VV-F 3x1,50 white

End 2: 16A 240V Industrial Socket Blue

*Dimensions and images may differ from those shown*