

Customer Information Sheet

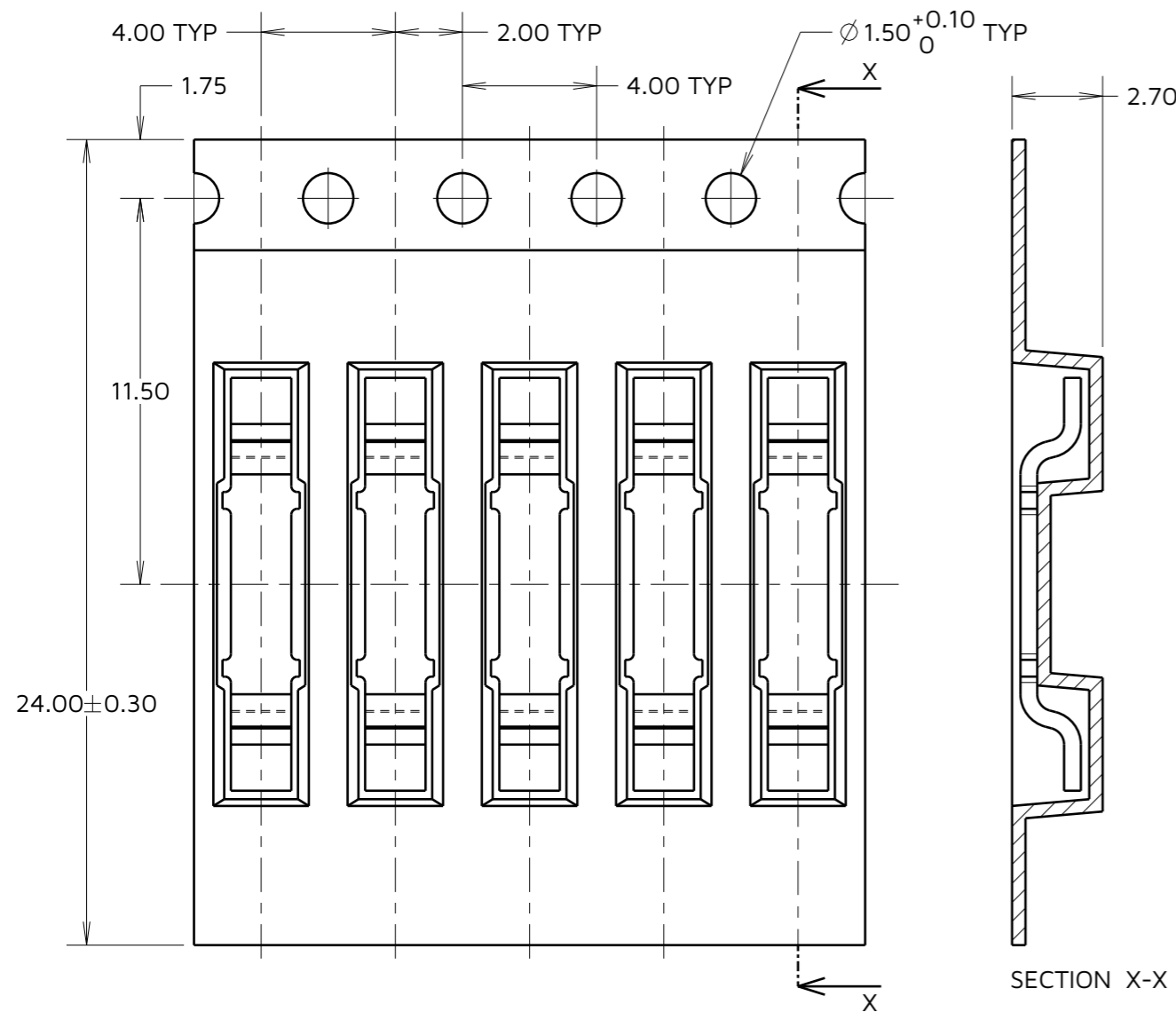
IF IN DOUBT - ASK

©

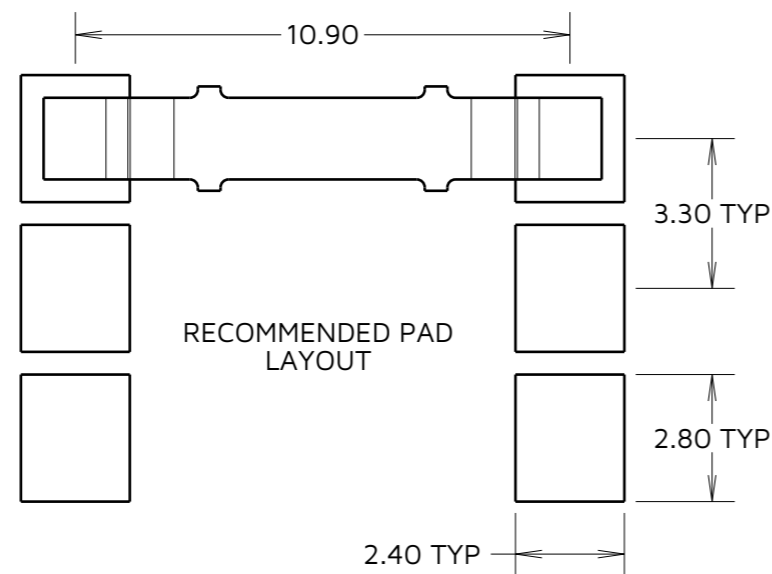
NOT TO SCALE

THIRD ANGLE PROJECTION

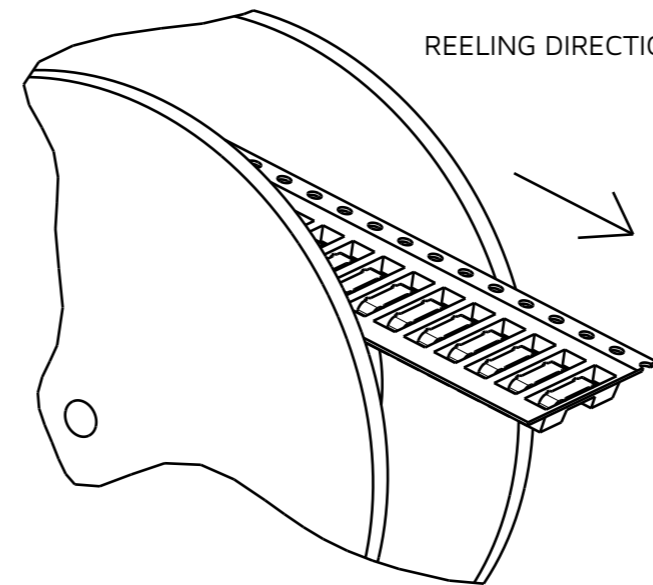
ALL DIMENSIONS IN mm



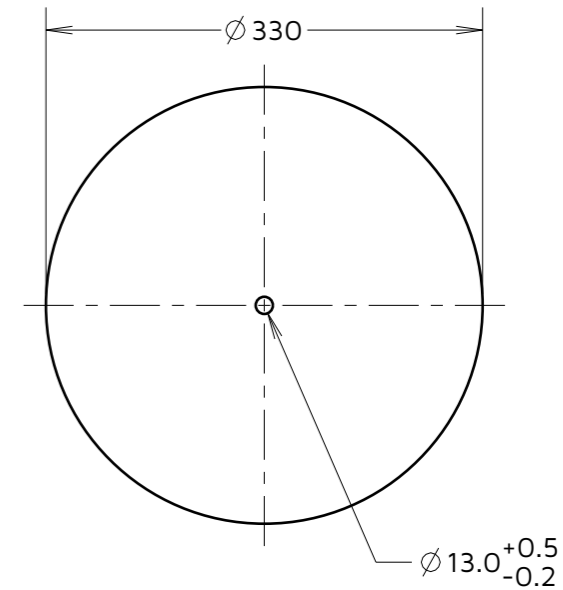
SECTION X-X



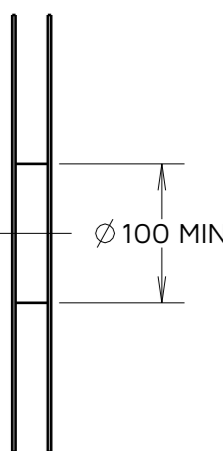
RECOMMENDED PAD LAYOUT



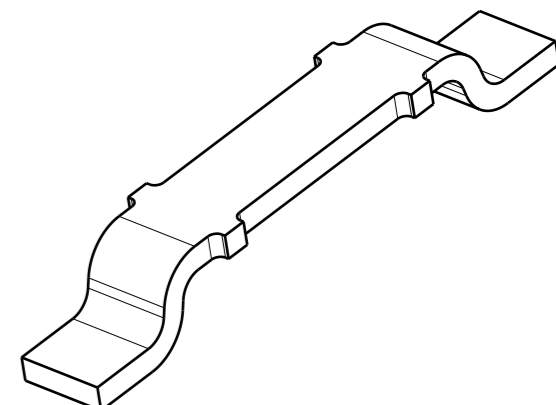
REELING DIRECTION



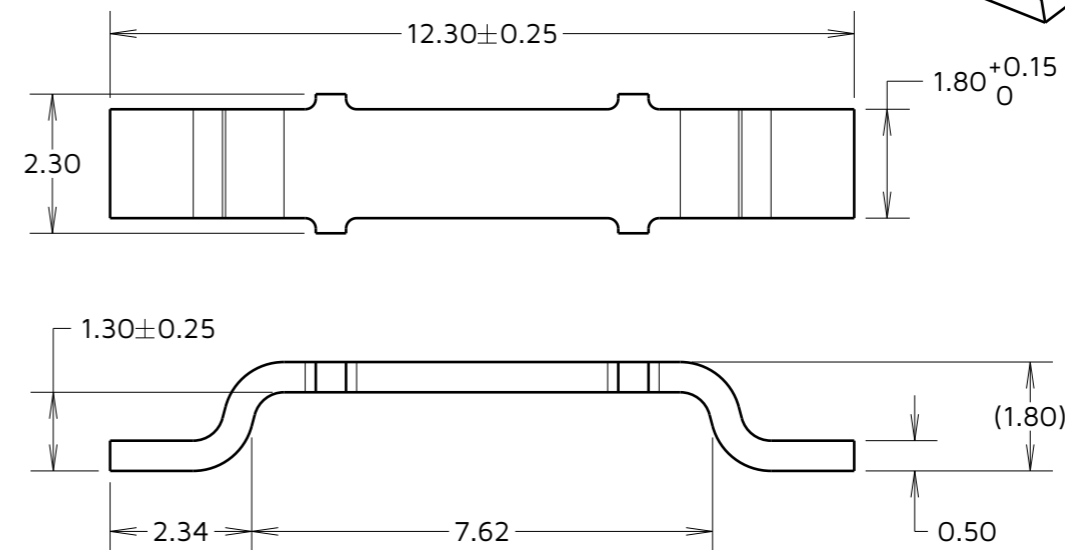
REEL DETAILS



$\phi 100$ MIN



COMPONENT DETAILS



COMPONENT SPECIFICATION:
 MATERIAL = BRASS CW508L 1/2 HARD
 FINISH
 46 = 4 μ m 100% TIN
 ELECTRICAL:
 CURRENT RATING = 10A (30°C TEMP RISE)
 CONTACT RESISTANCE = 20m Ω MAX
 ENVIRONMENTAL:
 OPERATING TEMPERATURE = -40°C TO +125°C

- NOTES:
 1. QUANTITY PER REEL = 5,000.
 2. THIS PRODUCT IS TAPED AND REELED IN ACCORDANCE WITH EIA-481 (ELECTRONIC INDUSTRIES ASSOCIATION).
 3. FOR LOOSE COMPONENTS, SEE S1621-XX.

AY	10	12.02.24	33594
NAME	ISS.	DATE	CN/CO
APPROVED: A.YEOMANS			
CHECKED: R.PORTLOCK			
DRAWN: W. J. BOURNE			
ASSEMBLY DRG:			

HARWIN

www.harwin.com

TOLERANCES
 X. = ± 1 mm
 X.X = ± 0.50 mm
 X.XX = ± 0.20 mm
 X.XXX = ± 0.01 mm
 ANGLES = $\pm 5^\circ$
 UNLESS STATED

THIS DRAWING AND ANY INFORMATION OR DESCRIPTIVE MATTER SET OUT HEREON ARE CONFIDENTIAL AND COPYRIGHT PROPERTY OF THE HARWIN GROUP AND MUST NOT BE DISCLOSED, LOANED, COPIED OR USED FOR MANUFACTURING, TENDERING OR FOR ANY OTHER PURPOSE WITHOUT THEIR WRITTEN PERMISSION.

MATERIAL:
 SEE ABOVE

TITLE:
 SURFACE MOUNT JUMPER
 (TAPE AND REELED)

DRAWING NUMBER:
 S1621-46R

SHT
 2
 OF
 2